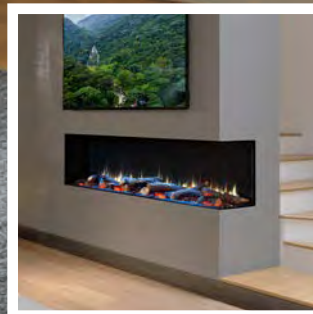


Charlton & Jenrick<sup>LTD</sup>

[www.charltonandjenrick.co.uk](http://www.charltonandjenrick.co.uk)

# Electric Fires

PRODUCT RANGE 2022



The greatest love begins with a little spark.

# IGNITE THE FIRE WITHIN...

Gone are the days when an electric fire was the last option if you could not install a gas or solid fuel appliance. Modern electric fires are now the pinnacle of design and the first choice for the discerning consumer who wants looks, ease of use and the latest in technology.

## BUY WITH CONFIDENCE

Charlton & Jenrick have been manufacturing and supplying into the Fireplace independent retail market for over 35 years. You are safe in the knowledge that all our products are UKCA and CE approved, meet all current EcoDesign regulations and are at the pinnacle of innovation. Being both ISO9001 and ISO14001 compliant, you can rest assured that quality products and environmental impact are top of our agenda when creating these stunning fires.



## DEDICATED RETAILER NETWORK

Our expertise is in the innovation, design and manufacture of high tech, high quality beautiful flame products. To ensure you get the best in customer service we work with dedicated local independent retailers that can offer you advice, home visits and support in your local area. You should only find Charlton & Jenrick products available through local independent retailers, which can be found on our website:

[charltonandjenrick.co.uk/products/store-locator](http://charltonandjenrick.co.uk/products/store-locator)

We do not sell to national/international retailers and those that sell nationwide via telephone or internet sales. We do this because we truly believe you need to view our products and speak to an experienced retailer who sells our products daily and can help with any advice, surveying your site and any after sales service required. To this end it is a condition of our terms & conditions we have with our dedicated retailers that they themselves look after any technical issues that arise in the first instance because they are in the best place to offer quick local support to a product they fully understand and to you their customer.

This is also a reason why we would strongly advise against you buying any fireplace product (either ours or any other brand) from a distant seller who is not available for local survey, installation and trouble shooting should any issues arise.

## FIVE YEAR PRODUCT WARRANTY

Our large format electric fires i.e. the Polaris and iRange fires come with a two-year parts and labour warranty, with the option of extending the parts warranty for a further three years if you fill in your warranty registration online within 1 month of purchasing your product. In all cases regarding warranty please refer in the first instance to the retailer where you bought the fire, this is where your contract lies and in the majority of cases they will be able to get you sorted before passing over to us if they cannot.

Our 16" & 22" electric fires come with a 12 month return to base warranty. That means in the unlikely event of an issue if you speak with your retailer, they will arrange to take away your fire and replace it for you.



Scan this to go to our website store-locator



**POLARIS**..... 4-13

The next generation in Electric Fires

**iRANGE** ..... 14-35

Setting the standards in large format Electric Fires

**3D & 4D Ecoflame 16"** ..... 36-41

Electric fires with ground breaking features

**4D Ecoflame22 16/22"** ..... 42-43

Versatile and intelligently designed electric fires

**3D Ecoflame Electric Stoves**... 44-45

Ultra-realistic flame effect stoves in any home

**Dimesions & Specifications** ... 46-60

Find the flame that fits

## KEY FEATURES



### LIVEFLAME

Realistic flame effect with a choice of three flame colours and five flame speeds.



### AMBIENT LIGHT BED

Choose between thirteen options or the automatic setting which cycles through the whole range.



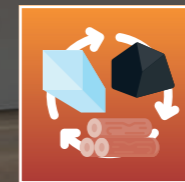
### MOOD SETTINGS

Optional LED lighting strips can be installed in the fireplace and furniture surround - up to 6m for Polaris & 4m for iRange.



### THERMOCONTROL REMOTE

Easily control all the features of the fire and view the room temperature too.



### TAILORED FUEL BED

You have the choice of ice crystals or a range of hand painted ceramic logs to finish off your fire.



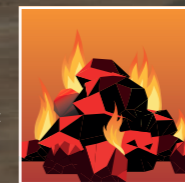
### ECO DESIGN COMPLIANT

All our electric fires are compliant with the EcoDesign 2022 standard.



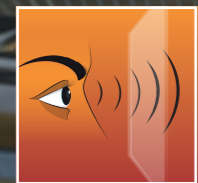
### PROGRAMMABLE 7 DAY TIMER

You can pre-set the heating of our electric fires either daily or for seven days.



### ACTIVE GLOWING EMBER FUEL BED

Gives you the option of five brightness settings and thirteen colours.



### ANTI-REFLECTIVE GLASS

Anti-Reflective glass as standard, giving you an uninterrupted view of the fire.

# POLARIS Range

Gone are the days when an electric fire was the last option if you could not install a gas or solid fuel appliance. Modern electric fires are now the pinnacle of design and the first choice for the discerning consumer who wants looks, ease of use and the latest in technology.

The Polaris range from Charlton & Jenrick offers stunning ultra-realistic flame-effect fires that boast market-leading features and finishes that represent the next generation of modern living.

Design opportunities are endless, and the fires will become the centre of your living area where you can build them into bookcases, media walls and feature walls. The optional mood lighting allows you to power and control up to 6 metres of LED lights that can be incorporated into your designs.



## The next generation in ultra-realistic living flame electric fires



POLARIS

### KEY FEATURES

- Realistic flame effect with a choice of three flame colours and five flame speeds
- Active Glowing Ember Fuel Bed with five brightness settings and a choice of thirteen different colours and a setting that cycles through all the options
- Supplied with logs as standard. All logs are hand-painted to be extremely realistic and no log is repeated in the set which includes brown logs, moss logs, split logs and bark pieces. The fuel bed also includes realistic embers and bark
- Along with the standard woodland log set, you can choose between the optional driftwood log set or quartered split log set. These optional log sets will allow you to change the look and feel of your fire.
- LED technology. (low running cost long life) lighting effect on the fires
- Supports and controls compatible LED mood lights (controlled with appliance remote control). It will support up to six metres of optional LED lighting strips to illuminate your installation feature, fireplace or general surround
- All spare parts can be exchanged through the removal of the glass and the parts are all plug-and-play modules
- The fires are fully compliant with eco design standard
- Anti-reflective window front and sides as standard
- Full functional remote supplied as standard
- 1-2kW Adaptive control (on board energy manager)
- Accurate room temperature control (Electronic thermostat in hand remote)
- Daily and 7-day Programmable Heating
- Supplied with wall bracket and 2 mounting brackets
- Kettle Plug Cable for easy pre-wiring

### THERMOCONTROL REMOTE

Take control your new EcoDesign electric fire from the comfort of your sofa.

The innovative, technologically advanced thermostatic remote control helps you easily control your fire and access its many features. The flame effect, fuel bed lighting, mood lights and heater can all be operated individually or in conjunction with one another.

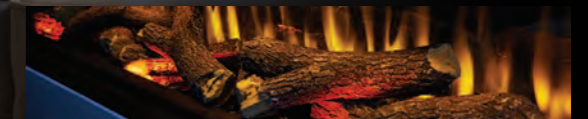
- Remote power on and off
- See time, day and battery power
- Set timer, temperature and heating period
- View actual room temperature
- Scroll through flame and light options
- Adjust flame effect
- Change lighting levels
- Advance heating



### POLARIS FUEL BED OPTIONS

Choose the log set that best suits your interior and tastes.

#### Woodland Log Set



#### Quartered Split Log Set



#### Driftwood Log Set





### A SQUARE AND SHALLOW FIRE THAT IS THE PERFECT PROPORTIONS FOR FITTING INTO A FIREPLACE

The 620e Slimline is a square shallow fire that is designed to fit within the majority of fireplaces on the market. Unlike the other Polaris fires in the range the 620e being only 171mm deep means the fire can be installed in standard fireplaces with the need to only go a little into the wall cavity. It can be set in a deeper fireplace which allows installation onto a flat wall.



# 620e Slimline





840e

Polaris 840e shown as three-sided arrangement in feature wall with the optional quartered split logs

Scan this to watch the POLARIS 840e fire on YouTube



POLARIS 840e



Polaris 840e shown as three-sided arrangement in media wall

## THE MOST VERSATILE FIRE IN THE RANGE

The proportions of the 840e make it ideal to fit into any living space either in a bespoke feature or as a hang-on-the-wall fire. The Polaris 840e is perfect for those looking for premium features in a more compact package.



POLARIS 840e shown as one-sided arrangement in a wall with trim





## MEDIUM-SIZED LANDSCAPE FIRE WITH ENDLESS POSSIBILITIES


The 1000e is the middle-sized Polaris fire that like the others can be installed in three ways; one sided, two sided or three sided. The Polaris 1000e features all the same technology as the more expensive Polaris models, but in a more compact one-metre long format.



POLARIS 1000e shown as a three-sided arrangement into a media wall



Polaris 1000e shown as a two-sided arrangement built into a media wall with the optional quartered split logs

Scan this to watch POLARIS 1000e Fire on YouTube 



### THE LARGEST LANDSCAPE FIRE IN THE POLARIS RANGE

At 1.6 metres wide, this fire is ideal for large feature walls and room dividers. Imagination is the only limit to what can be achieved when installing these fires. The optional driftwood and quartered split log fuel beds allow you to personalise your fire to your tastes and desires.



Polaris 1600e shown as a three-sided arrangement built into a media wall



Polaris 1600e shown as a two-sided arrangement built into a feature wall

Scan this to watch POLARIS 1600e Fire on YouTube



Polaris 1600e shown as a three-sided arrangement built into a media wall with the optional quartered split logs

# iRANGE SLIM Range

## LIVEFLAME OPTIONS

A beautiful fire with flame effects to match your mood

Relax with the mood enhancing ultra-realistic flame effect with three colour options warm amber, hot blue and a stunning combination of both colours for the iRange Slim range. Each available in four mood settings. The mood settings offer four differing levels of brightness and size of flames.

## AMBILIGHT FUEL BED

A palette of thirteen glorious colours

As well as choosing mood matching colours for your fire's natural flame effect, you can set the colour of the ultra-realistic fuel bed too. Choose from a glowing, natural amber or take your pick from any one of twelve other shades to match your mood – all easily set using your remote control. You can even set the colours to gradually shift from one shade to another, cycling through the whole palette to create an ever-changing display.

## MOOD SETTING (OPTIONAL)

Create the right mood in your room by lighting the area surrounding your fire

Optional lengths of LED lighting strips are available that plug into your fire and you can run in your fireplace or build into the wall. The lights are controlled from the fires handset and offer you a palette of thirteen glorious colours that can be set separately to the flame and fuel bed effects (they can also be set to the same colours).

## TAILORED FUEL BED OPTIONS

Different looks from a choice of fuel beds

Which look will you choose today? Traditional log fire? Ultra cool ice and crystal? The choice is yours. You can even create your own bespoke look by removing the glass front to create a mix of different fuel bed materials to your own design.

## ECODESIGN COMPLIANT

Love your fire, love the energy you save

Energy-saving is second nature for our fires. As well as setting thermostatic controls, you can set your fire to turn itself on and off at any time you choose and all our electric fires are built to EU and UK standards, making them Ecodesign compliant. The fire has a seven day timer setting, thermostat control and open window detection.

## THERMOCONTROL REMOTE

Simple controls from a single handset

Choose the lighting. Choose the flame effect. Choose to turn on the heat or simply enjoy the display. The full range of features on your fire can be controlled remotely from our slim and elegant handset.

- Remote power on and off
- See time, day and battery power
- Set timer, temperature and heating period
- View actual room temperature
- Scroll through flame and light options
- Adjust flame effect
- Change lighting levels
- Advance heating



# 4D Ecoflame electric fires with ground breaking features

## KEY FEATURES

- Tailored fuel bed options. A range of fuel bed media is supplied including realistic log, burnt embers, ice crystals small and large and glowing embers. All are included with the fire for you to choose the look and feel you want.

- Exciting realistic LiveFlame effect with three colour options each available in four mood settings. The mood settings allow for four differing levels of brightness and size of flames.

- Realistic Ambilight flickering fuel bed with thirteen colour options and four mood settings. Choose from a glowing, natural amber or take your pick from any one of twelve other shades to match your mood – all easily set using your remote control. You can even set the colours to gradually shift from one shade to another, cycling through the whole palette to create an ever-changing display.

- Mood Setting (Optional) – Create the right mood in your room by lighting the area surrounding your fire, optional lengths of LED lighting strips are available that plug into your fire and you can run in your fireplace or build into the wall. The lights are controlled from the fires handset and offer you a palette of thirteen glorious colours that can be set separately to the flame and fuel bed effects (they can also be set to the same colours).

- Highly efficient heat control via a 7 day programmable timer and an electric thermostat all incorporated into the stylish remote-control handset.



iRANGE SLIM

- EcoDesign compliant built to EU and UK standards that allows you to control your fire and also includes open window detection.

- Two generous heat settings which are chosen automatically by the controls to meet and maintain your chosen room temperature.

- 2kW max heat output 100% efficient at point of use.

- Optional wall brackets to be able to hang the fire on the wall and build a fascia or enclosure around it.

- All fires come with a 5 year extended parts warranty (first 2 years parts & labour).

## CREATING THE MOOD

Customise your fuel bed.

Each fire comes with logs, large crystals, small crystals and embers so you can create the fire bed of your choice.







i480e

### THE MOST COMPACT OF THE iRANGE


The most compact of the range the i480e, ideally proportioned to fit in the majority of fireplaces available in the UK. Like the other fires in the range it can also be fitted flush into the wall or can use the built in two or three sided aspects provided. The superb realism of the deep 4D flame effect will enhance any living area.



i480e shown in Beckford Limestone Suite



i480e shown in Aylesbury Limestone Suite

Scan this to watch watch the i480e Fire on YouTube 





i780e shown in Edgmond Limestone surround

i780e

### THE FLEXIBLE FIREPLACE WITH STUNNING FEATURES

A very popular sized fire that looks stunning in a fireplace as part of a suite, shown on these pages are some of the most popular designs.

Flexible construction techniques allow the fire to be installed within a suite, existing chimney breast or as part of a new fireplace chimney feature.

One, two or three aspect fire windows can be chosen to suit at the time of installation. Designed to be superbly versatile, imagination need no longer be limited by two dimensions.



i780e shown in Wave Limestone surround

Scan this to watch the i780e Fire on YouTube





i890e

### OUR EXTREMELY VERSITILE AND IMPRESSIVE LANDSCAPE FIRE

The i890e is a landscape fire with an extra-wide flame picture that will enhance even the biggest of rooms. Extremely versatile in its design concept the i890e has a single, dual or triple aspect choice built in plus a wall mounting capability. Almost every conceivable design can be achieved using the new iRange i890e.



i890e shown as a hole-in-the-wall fitting with Piano Black Flat Trim



Scan this to watch the i890e Fire on YouTube



i890e shown as a hole-in-the-wall fitting with Elite Trim, LED Lighting, and TV fitted above



i1500e shown as two-sided arrangement into a kitchen island

Scan this to watch the i1500e Fire on YouTube



## THE LARGEST FIRE IN THE iRANGE SLIM RANGE

The largest fire in the slim iRange and a real show stopper! The i1500e fire makes a real impact in any room and lends itself for many fitting options and is ideal as a room divider.

For ultimate in aesthetics and designed to work with large media wall installations the i1500e encompasses all the versatility of the iRange. Single, dual or triple aspects are built in providing the maximum in living space enhancement.



i1500e shown as a three-sided arrangement in a media wall with our optional mood lighting installed and crystal fuel bed



# iRANGE DEEP Range

## LIVEFLAME OPTIONS

A beautiful fire with flame effects to match your mood

Relax with the mood enhancing ultra realistic flame effect with three colour options; orange, white and a combination of both. Each available in four mood settings. The mood settings offer four differing levels of brightness and size of flames.

## AMBILIGHT FUEL BED

A palette of thirteen glorious colours

As well as choosing mood matching colours for your fire's natural flame effect, you can set the colour of the ultra-realistic fuel bed too. Choose from a glowing, natural amber or take your pick from any one of twelve other shades to match your mood – all easily set using your remote control. You can even set the colours to gradually shift from one shade to another, cycling through the whole palette to create an ever-changing display.

## MOOD SETTING (OPTIONAL)

Create the right mood in your room by lighting the area surrounding your fire

Optional lengths of LED lighting strips are available that plug into your fire and you can run in your fireplace or build into the wall. The lights are controlled from the fires handset and offer you a palette of thirteen glorious colours that can be set separately to the flame and fuel bed effects (they can also be set to the same colours).

## TAILORED FUEL BED OPTIONS

Different looks from a choice of fuel beds

Along with the standard woodland log set, you can choose between the optional driftwood log set or quartered split log set.

## ECODESIGN COMPLIANT

Love your fire, love the energy you save

Energy-saving is second nature for our fires. As well as setting thermostatic controls, you can set your fire to turn itself on and off at any time you choose and all our electric fires are built to EU and UK standards, making them Ecodesign compliant. The fire has a seven day timer setting, thermostat control and open window detection.

## THERMOCONTROL REMOTE

Simple controls from a single handset

Choose the lighting. Choose the flame effect. Choose to turn on the heat or simply enjoy the display. The full range of features on your fire can be controlled remotely from our slim and elegant handset.

- Remote power on and off
- See time, day and battery power
- Set timer, temperature and heating period
- View actual room temperature
- Scroll through flame and light options
- Adjust flame effect
- Change lighting levels
- Advance heating



# Large Format electric fires with ground breaking features



iRANGE DEEP

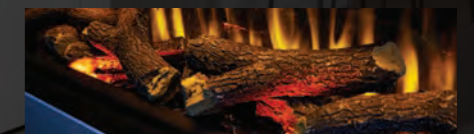
## KEY FEATURES

- Tailored fuel bed options. Along with the standard woodland log set, you can choose between the optional driftwood log set or quartered split log set. These optional log sets will allow you to change the look and feel of your fire.
- Exciting realistic LiveFlame effect with three colour options each available in four mood settings. The mood settings allow for four differing levels of brightness and size of flames.
- Realistic Ambilight flickering fuel bed with thirteen colour options and four mood settings. Choose from a glowing, natural amber or take your pick from any one of twelve other shades to match your mood – all easily set using your remote control. You can even set the colours to gradually shift from one shade to another, cycling through the whole palette to create an ever-changing display.
- Mood Setting (Optional) – Create the right mood in your room by lighting the area surrounding your fire, optional lengths of LED lighting strips are available that plug into your fire and you can run in your fireplace or build into the wall. The lights are controlled from the fires handset and offer you a palette of thirteen glorious colours that can be set separately to the flame and fuel bed effects (they can also be set to the same colours).
- Highly efficient heat control via a 7 day programmable timer and an electric thermostat all incorporated into the stylish remote-control handset.
- EcoDesign compliant built to EU and UK standards that allows you to control your fire and also includes open window detection.
- Two generous heat settings which are chosen automatically by the controls to meet and maintain your chosen room temperature.
- 1.5kW max heat output 100% efficient at point of use.
- Optional wall brackets to be able to hang the fire on the wall and build a fascia or enclosure around it.
- All fires come with a 5 year extended parts warranty (first 2 years parts & labour).

## LOG SET OPTIONS

Choose the log set that best suits your interior and tastes.

### Woodland Log Set



### Quartered Split Log Set



### Driftwood Log Set





### A NEW ADDITION TO OUR IRANGE DEEP LINEUP, PERFECT FOR SMALLER ROOMS AND MORE TRADITIONAL INTERIORS

Incorporating all of the features of our more expansive iRange models in a smaller form factor makes this perfect for smaller rooms. The new C&J Smart App enables you to control all aspects of the fire from your mobile device, including the two new optional crackle sound effects.




i1000e Deep shown as a three-sided arrangement in a dividing wall with the all white flame effect



i1000e DEEP

i1000e Deep shown as a three-sided arrangement in a dividing wall



Scan this to watch the i1000e Fire on YouTube 



i1250e Deep shown as a one-sided arrangement in a feature wall

### A DEEPER ADDITION TO THE iRANGE TO GIVE YOU MORE FUEL BED AND ILLUMINATION

The i1250 is a mid range electric fire that is ideal for feature walls and room dividers. The extra depth has allowed for a new chunkier log set and increased illumination of the fuel bed thanks to a unique glowing front log feature. This fire also features the striking bright white flame setting.



Range i1250e Deep as a two-sided arrangement in a kitchen island with the optional driftwood Logs



i1250e Deep

i1250e Deep as a three-sided arrangement in a media wall



Scan this to watch the i1250e Deep Fire on YouTube

i1500e Deep shown as a two-sided arrangement in a media wall with the optional quartered split logs



Scan this to watch the i1500e Deep Fire on YouTube



i1500e Deep shown as a two-sided arrangement in a feature wall



## ELEGANT SIMPLICITY BLENDED WITH SUBSTANTIAL PRESENCE

This 1.5-metre-wide electric fire is designed to create maximum visual impact in your home. The clean, graceful lines of the i1500e Deep make this modern design look attractive even when it is not alight. Our optional LED mood lighting allows for multiple lighting effects to be created.



i1500e Deep shown as a three-sided arrangement in a media wall







i1800e Deep shown as a three-sided arrangement wall hanging

### AT 1.8 METRES IN LENGTH, THIS IS THE PERFECT CENTREPIECE FOR A MODERN HOME

With a vast expanse of glass, the i1800e is perfectly suited to creating a modern media wall centrepiece for your home. This fire is compatible with one, two, or three-sided installations, meaning the only limit is your imagination. The extra-wide flame picture will enhance even the biggest of rooms.




i1800e Deep shown as a one-sided arrangement in a feature wall



i1800e DEEP

i1800e Deep shown as a two-sided arrangement in a media wall



Scan this to watch the i1800e Deep Fire on YouTube 

i2200e Deep shown as a three-sided arrangement in a media wall with the optional LED lighting

i2200e Deep



### AT 2.2 METRES IN LENGTH, THIS IS THE LARGEST VERSION OF OUR iRANGE DEEP ELECTRIC FIRES

The iRange i2200e Deep combines style, efficiency and customisability to provide the ultimate solution for modern interior designs. Being the biggest in the range means this is the perfect choice for the discerning customer, looking for the ultimate in luxury electric fires.



i2200e Deep shown as a three-sided arrangement in a media wall

Scan this to watch the i2200e Deep Fire on YouTube



# ECOFLAME™

## CONTEMPORARY OR TRADITIONAL?

Suitable for any room, whether traditional or contemporary, incorporating realistic flame effects from 3D Ecoflame™ and 4D Ecoflame™ technology which brings a comforting warmth to any home.

A popular choice for people who prefer electric to gas – their versatility and low watt usage allows them to be fitted anywhere there is an electric supply, making them viable for use in apartments, flats, remote locations, houses without chimneys/flues and where there are no options to use gas.

- Mix and match frets and trims to suit your room
- Suitable for use where gas isn't an option
- Realistic flame effects give your room a warm welcoming feel
- Various fuel bed options available

## 4D ECOFLAME™ FASCIA LIGHTS

13 colour options, colour morphing and 4 mood settings

All Charlton & Jenrick Elite Fascias now come with the option of patented LED trim lights that are controlled by the fire's remote control.

There is an optional 1 metre length of LED lighting strip that is available and can be fitted into a fireplace or surround and controlled by the fire. There are 13 colour options and a colour morphing setting, each available in 4 mood settings.

Please note that this optional strip can not be used if the LED lights are being used on the Fascia. It is a choice of either fascia lights or 1 metre length. Remote control handset designs vary according to fire model.



# Intelligently designed electric fires with versatility in mind

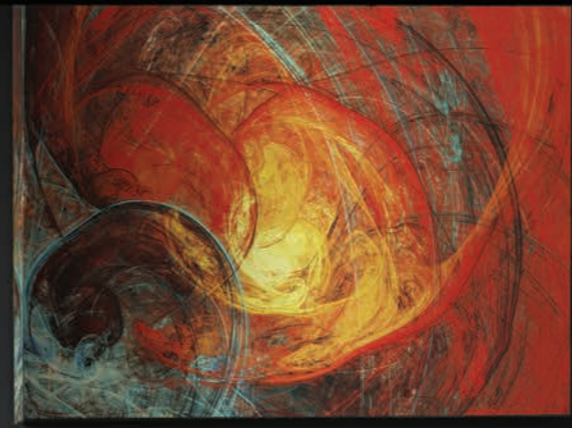


ECOFLAME™



## 3D ECOFLAME™ KEY FEATURES

- Included in the box are loose realistic log, glass beads and coal fuel bed - use all three together if you wish!
- Exciting realistic flame effect with 4 mood settings with choice of warm dark orange flame or orange and blue flame.
- Remote control with timer and thermostat built in.
- Realistic active flame images appear from the middle of the fuel bed created by Charlton & Jenrick's superb 3D reflection technology.
- High-level side buttons for easy access.
- Two generous heat settings Low 0.75kW and High 1.5kW.
- Fits most Charlton & Jenrick frets and fascias.



## 4D ECOFLAME™ KEY FEATURES

- Exciting ultra-realistic flame effect with 3 colour options each available in 4 mood settings. The mood setting offers 4 differing levels of brightness and flame size.
- Realistic flickering fuel bed with 13 colour options and a colour morphing setting, each available in 4 mood settings.
- Multiple fuel bed options including realistic log, coal, ice crystals small and large and glowing embers. All are included with the fire for the user to decide.
- Highly efficient heat control via a 7-day programmable timer and an electric thermostat all incorporated into the stylish remote-control.
- High-level side buttons for easy access and alternative control of flame effect and the fuel bed.
- Two generous heat settings which are chosen automatically by the controls to meet and maintain your chosen room temperature.
- Realistic active flame images appear from the middle of the fuel bed created by C&J's superb 4D reflection technology.
- 1.5kW max heat output (100% efficient at point of use).
- Fits most Charlton & Jenrick Frets and Fascias with many fire and fascia packages available.
- Fits most 16" fireplace openings.
- Fully EU Ecodesign compliant and UKCA approved.



3D Ecoflame™ with  
Satin/Black Elite Fascia  
in Balmoral Limestone  
Surround



3D Ecoflame™

3D ECOFLAME™

## AN EXTENSIVE CHOICE OF FACIAS AND TRIMS

Introducing a range of inset 16" electric fires with ultra-realistic flame effect thanks to the brand-new 3D Ecoflame™ technology from Charlton & Jenrick designed to give the look and feel of a real fire, complementing any living area, but for customers that prefer electric.

See page 58 for full range of fascia options.



3D Ecoflame™ with Pewter Square Cast Fascia in Balmoral Limestone Surround



Scan this to watch  
the 3D Ecoflame  
Fire on YouTube



### INSET 16" ELECTRIC FIRES WITH 4D ECOFLAME™ TECHNOLOGY

Building on the overwhelming success of the 3D Ecoflame™ electric fire, we are pleased to offer the next generation in electric fires. All models benefit from the ultra-realistic deep reflective fuel and flame effect that has set new standards across the industry. The new range also boasts flickering ember effect fuel bed, 7-day timer, optional trim and fireplace mood lights to name but just a few superb innovations.

See page 58 for full range of fascia options.



4D Ecoflame™ with Brass/Chrome Elite Fascia in Beckford Limestone Surround




4D Ecoflame™



4D Ecoflame™ with Chrome/Chrome Elite Fascia in Stokesay Limestone Surround with LED Trim Lights



Scan this to watch the 4D Ecoflame Fire on YouTube 

4D Ecoflame22 in Beckford Limestone Surround shown in 16" opening with Chrome/Black Elite Fascia and LED trim lights



4D Ecoflame22

## OUR WIDE 22" ELECTRIC FIRE THAT FITS INTO A STANDARD 16" OPENING

Exciting ultra-realistic flame effect with 3 colour options each available in 4 mood settings. The mood settings offer 4 differing levels of brightness and size of flames. The realistic active flame images appear from the middle of the fuel bed created by Charlton & Jenrick's superb 4D reflection technology.

By removing the spacer attached, the fire will fit flush into a wider 22" opening. There are also optional small spacers in with the fire that allow it to stand off the back panel/wall to allow for the optional LED trim lights to be fitted.

The optional LED fascia lights also offer the same 13 colour and 4 mood options as the fuel bed but can be chosen interdependently to either the same or different settings.

Multiple fuel bed options including realistic log, coal, ice crystals and small, large and glowing embers all come as standard - so you are free to choose or change as you desire.



4D Ecoflame22 in Beckford Limestone Surround with Chrome/Black Elite Fascia and LED lighting under header

Small spacers allow the fascia to stand off the back panel/wall to allow for the optional LED trim lights to be fitted



4D Ecoflame22 in Beckford Limestone Surround shown in 22" opening (spacers) with Chrome/Chrome Elite Fascia and LED trim lights



## 3D ECOFLAME ELECTRIC STOVES

With today's highly efficient homes it is not always necessary to have a gas or wood burning stove in your room or fitting such an appliance may just not be possible.

If however you want the warmth from the look and feel of a stove in your home but without the need for such high heat outputs then an electric stove is the ideal choice.

The C&J electric stoves come with a choice of doors; curved, square or Alcaston which features a tracery door. The doors are all cast iron and fit on the strong steel body of the stove which are built from 5mm thick laser profiled steel plate.

The stoves have an ultra-realistic flame effect thanks to the 3D Ecoflame™ from Charlton & Jenrick Ltd.

### PRODUCT HIGHLIGHTS

- Loose realistic log fuel bed
- Exciting realistic flame effect with 4 mood settings
- Remote control with timer and thermostat built in
- 2 generous heat settings Low 1kW and High 2kW
- Heavy duty steel construction
- Quality solid cast iron door



Alcaston Electric Stove shown in Inglenook



Electric Stove Flame Detail

# Electric Stoves



3D Ecoflame™  
Curved Door  
Electric Stove on  
Log Store

Scan this to watch  
the full Electric Stove  
range on YouTube



# The perfect way to enhance your electric fireplace or media wall

## MOOD LIGHTING

Our LED Lighting is compatible with all of our Polaris, iRange, and 4D Ecoflame models.

Maximum Length of LED connectivity for all the ranges;

Polaris	6m
iRange	4m
4D Ecoflame	1m*

(\*or trim with lights fitted)

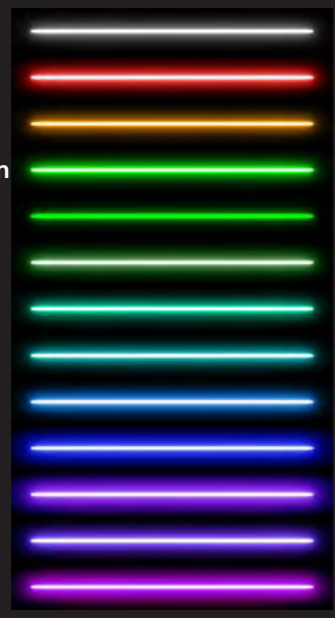
LED lighting control is built into all remotes as standard.



## LED COLOUR OPTIONS

13 different colour options, and a 14th option that cycles through all the colours.

- White
- Red
- Amber
- Light Green
- Green
- Emerald
- Aqua Blue
- light Blue
- Blue
- Dark Blue
- Lilac
- Purple
- Mauve



## GET INSPIRED WITH LED LIGHTING

Inside Shelves



Underneath Overhang



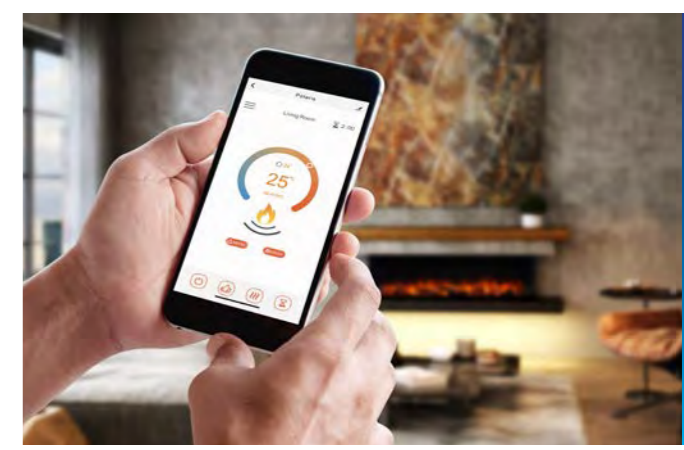
Behind TV



For more inspiration, view our LED Lighting Guide



# C&JSMARTFIRE APP CONTROL



**THE C&JSMARTFIRE APP ALLOWS YOU TO CONTROL THE LATEST IRANGE DEEP MODELS FROM THE COMFORT OF YOUR CHAIR.**

### CONVENIENT CONTROL

Easily turn your fire on and off and control basic heating controls with a few clicks of a button.

### FULL CONTROL OF THE FLAMES

Choose between 9 pre-set colours and MY FLAME setting for a custom colour as well as the option to control the brightness of the flames.

### SCHEDULING FIRE CONTROLS

Schedule flame and heating settings with up to 4 time periods a day and 3 different weekly schedule patterns available.

### FUEL BEDS

Choose between 7 pre-set colours and two custom colour setting as well as the option to control the brightness of the fuel bed.

### OPTIONAL OPTIONAL MOOD LIGHTING

Choose between 13 different colour options, and a 14th option that cycles through all the colours as well as the option to control the brightness of the led lighting.

### OPTIONAL CRACKLE SOUND EFFECTS

Choose between the two optional relaxing fire crackling sound effects and control their volume, or run the fire without any sound effects.

### SYNCHRONISE VISUALS

Synchronise the flames, fuel bed, and mood lighting to create one cohesive visual effect.

### THERMOSTATIC TEMPERATURE CONTROL

A thermostat shows the current room temperature on the app, and you can set a desired temperature for a specified amount of time using the timer function.

### WORK ACROSS DEVICES

Available on android and iOS allowing for operation from all your devices.

### FIRE COMPATIBILITY

Compatible with the new iRange i1000e Deep and iRange i2200e Deep models.



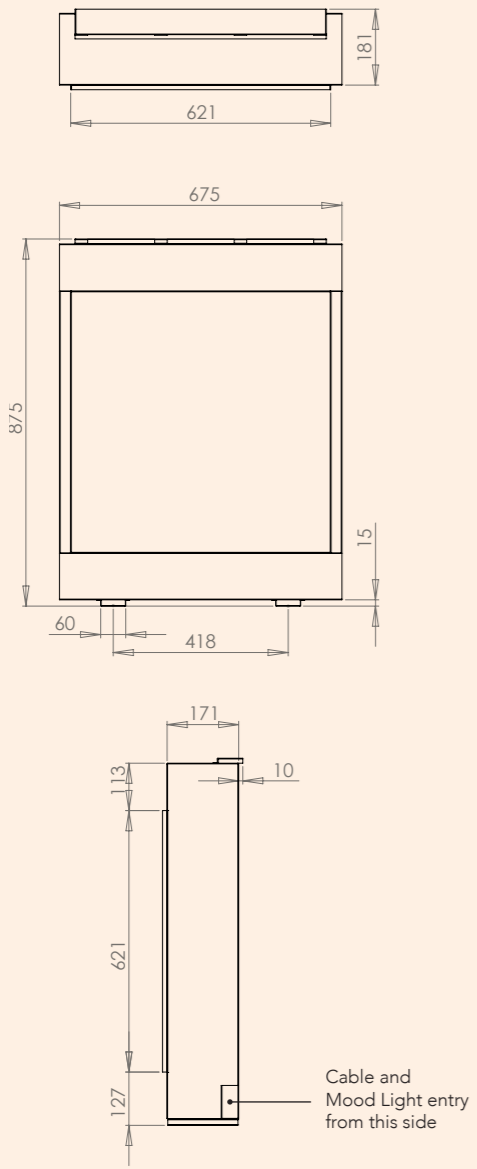
Download the C&J Smart Fire App from the Google Play and Apple App Store



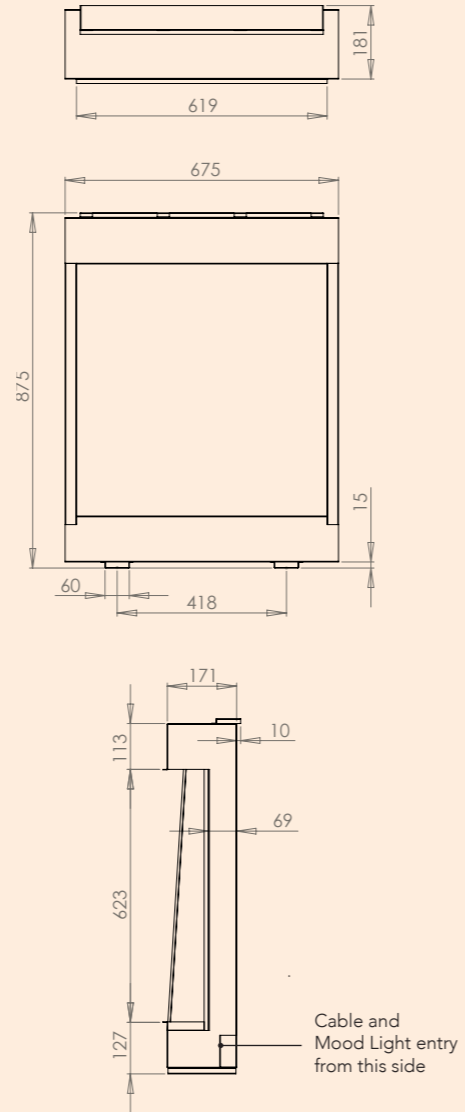




**POLARIS 620e Slimline**  
single sided arrangement



**POLARIS 620e Slimline**  
three sided arrangement

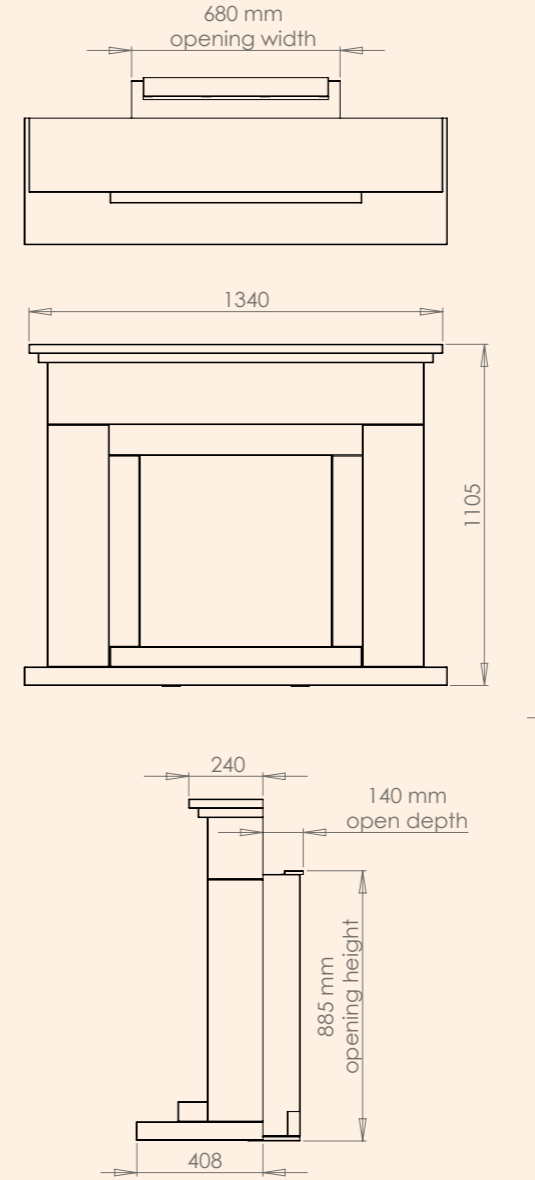


**PRODUCT WARRANTY**

Our large format electric fires i.e. the Polaris and iRange fires come with a two-year parts and labour warranty that can be extended for a further three years if you fill in your warranty registration online within 3 months of purchasing your product. In all cases regarding warranty please refer in the first instance to the retailer where you bought the fire, this is where your contract lies and in the majority of cases they will be able to get you sorted before passing over to us if they cannot.

Our 16" & 22" electric fires come with a 12 month return to base warranty. That means in the unlikely event of an issue if you speak with your retailer, they will arrange to take away your fire and replace it for you.

**POLARIS 620e Slimline**  
in Wenlock Suite



**Please note:** Our policy is one of constant development and improvement. We therefore reserve the right to revise the specification and design of our fires without formal notice.

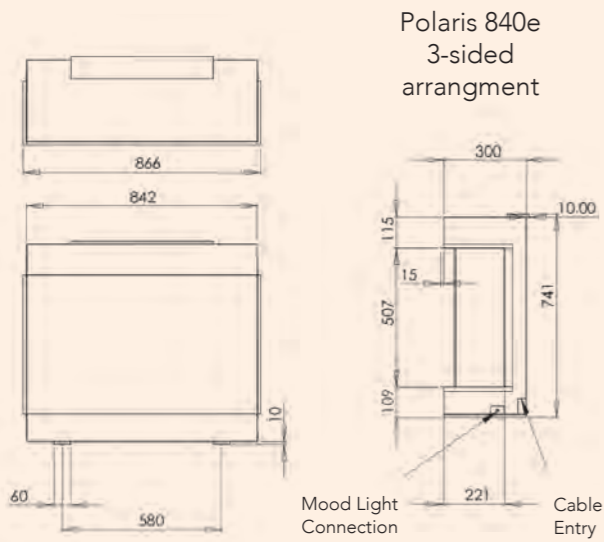
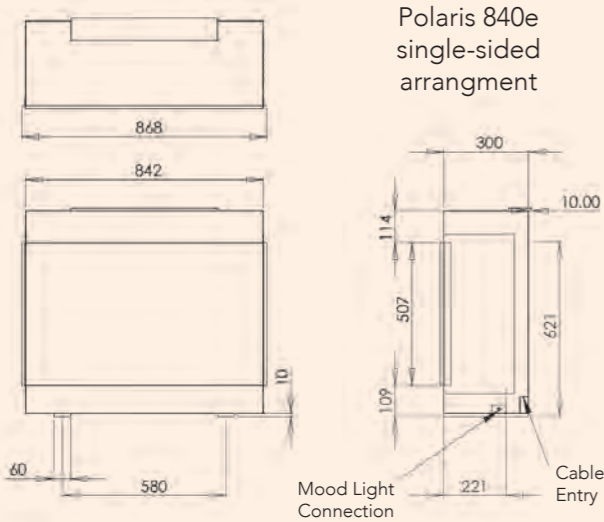
This is presented as a guide to aid in your decision and does not replace the need for technical assessment by your dealer. While the utmost care was taken in the preparation of this brochure, it is not intended to replace the installation manual which provides more detailed information.

Photography is for illustration purposes only and does not replace the need to see the fires in a showroom.

We accept no liability for any loss or damage arising either directly or indirectly from the use of this brochure. All designs in this brochure are design or copyright registered. Charlton & Jenrick, without exception, will take action against any infringements of its designs.



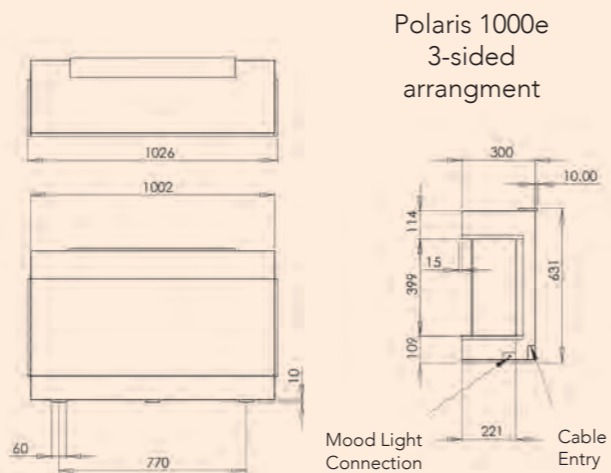
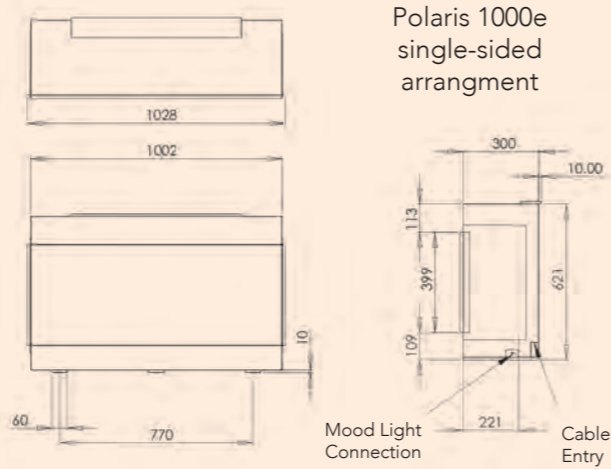
### POLARIS 840e



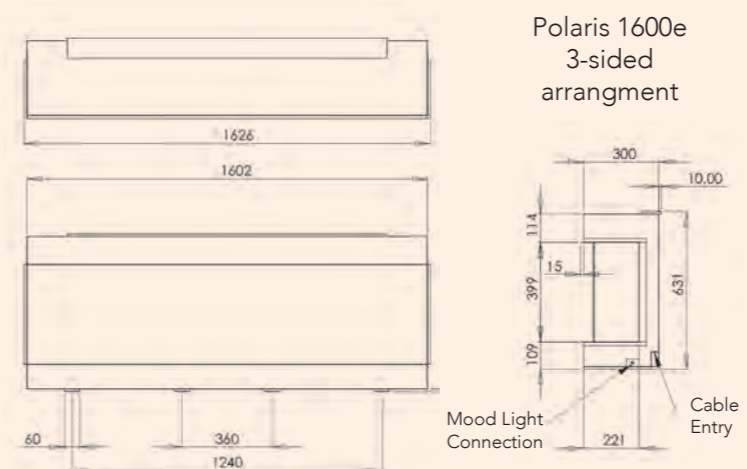
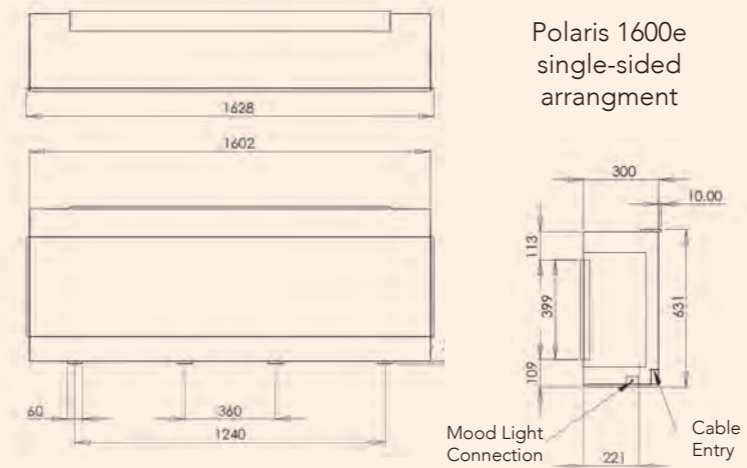
Scan this for instruction videos on YouTube



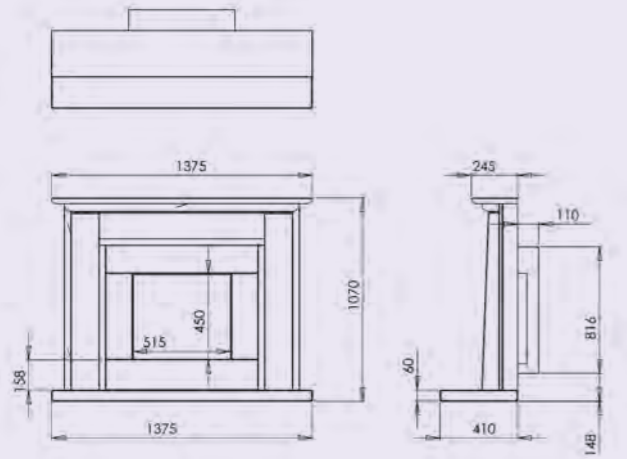
### POLARIS 1000e



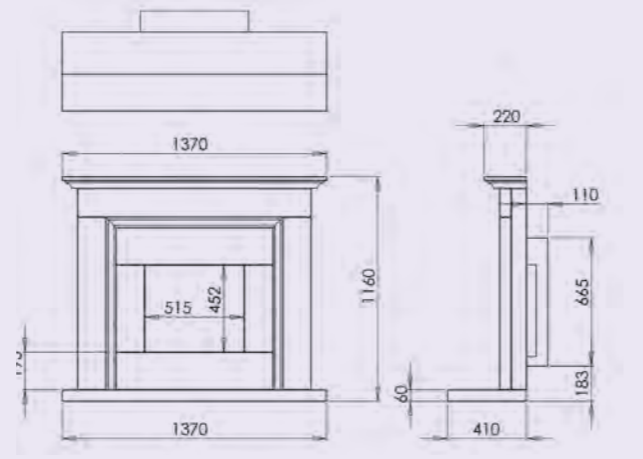
### POLARIS 1600e



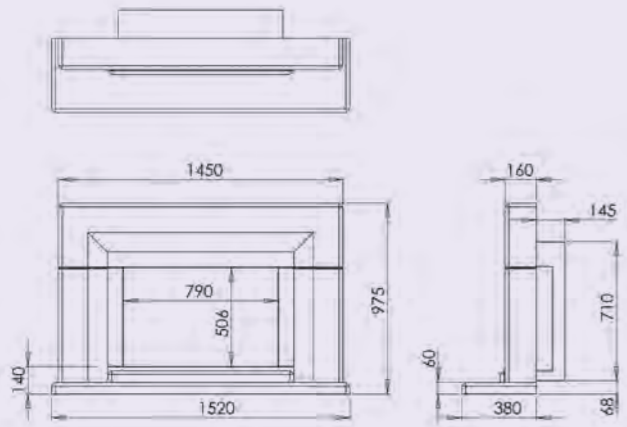
**i480e** in Stokesay suite



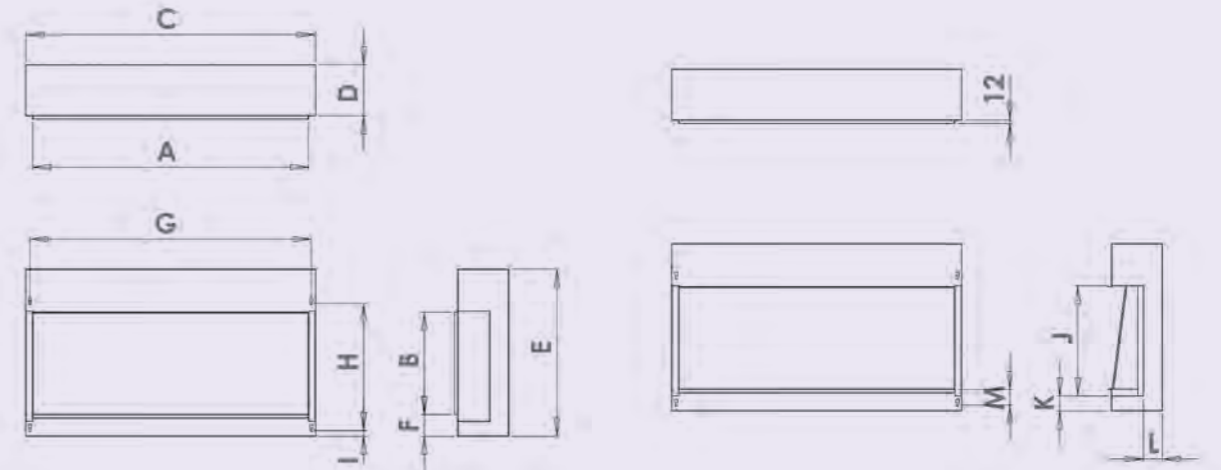
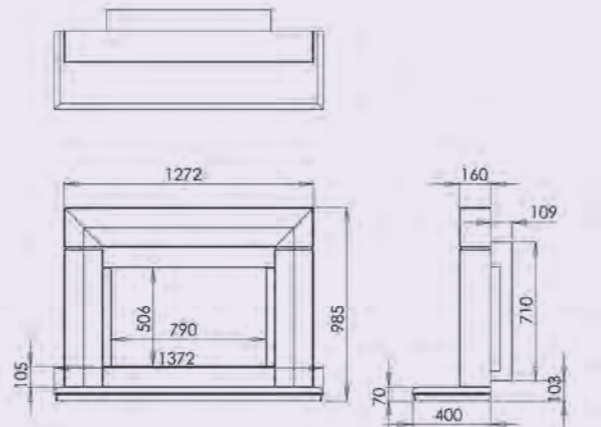
**i480e** in Aylesbury suite



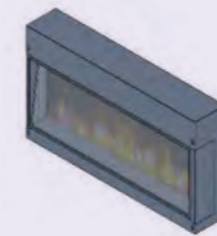
**i780e** in Edgemond suite



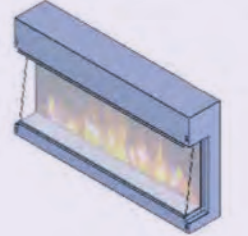
**i780e** in Wave Suite



Shown as supplied for front opening arrangement with side panels in position either or both side panels can be removed to give a 2 sided or 3 sided arrangement



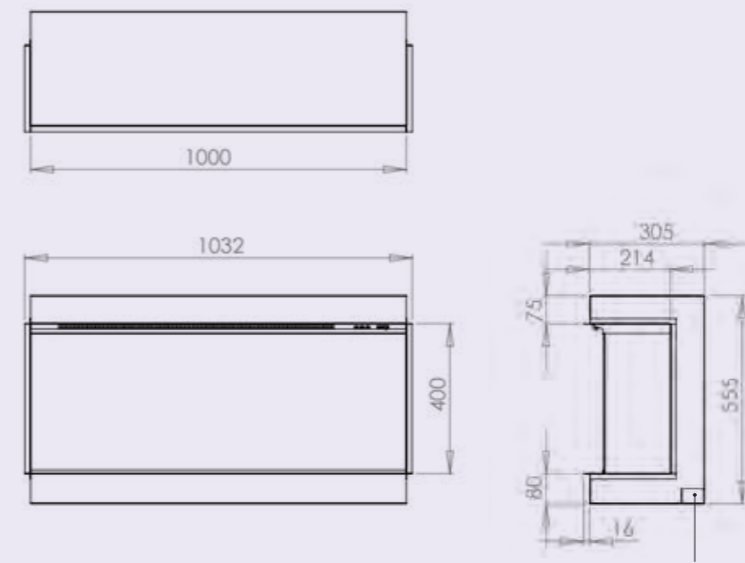
Shown with both side panels removed to give greater design opportunities of installation



MODEL	A	B	C	D	E	F	G	H	I	J	K	L	M
i480e 4D	513	452	562	170	668	72	538	530	20	473	50	62	53
i780e 4D	790	506	840	170	722	70	815	585	20	528	50	62	53
i890e 4D	918	342	965	170	557	70	946	422	20	365	50	62	53
i1500e 4D	1502	342	1555	170	557	72	1528	422	20	365	50	62	53

All dimensions in mm \* when using a wall bracket add 8mm to appliance depth d = 178mm

**i1000e Deep** three sided arrangement



Cable and mood light entry

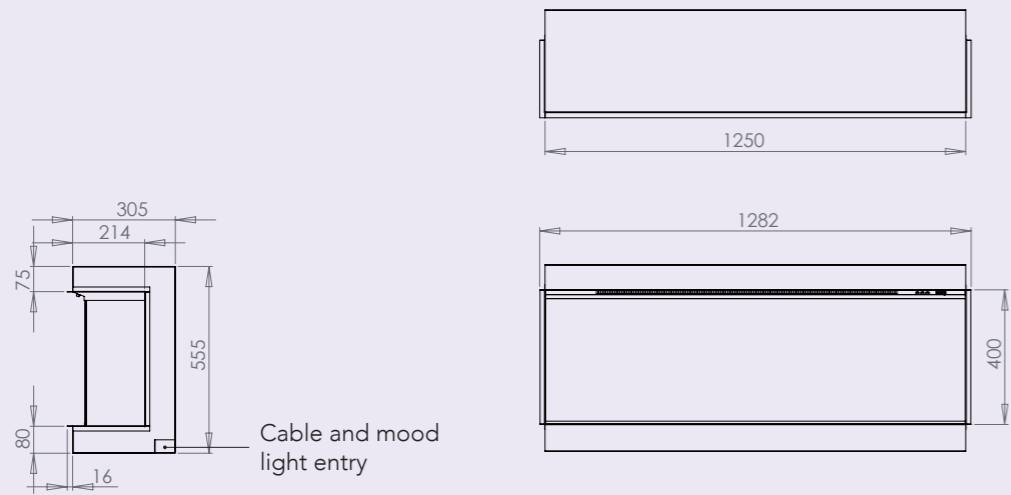




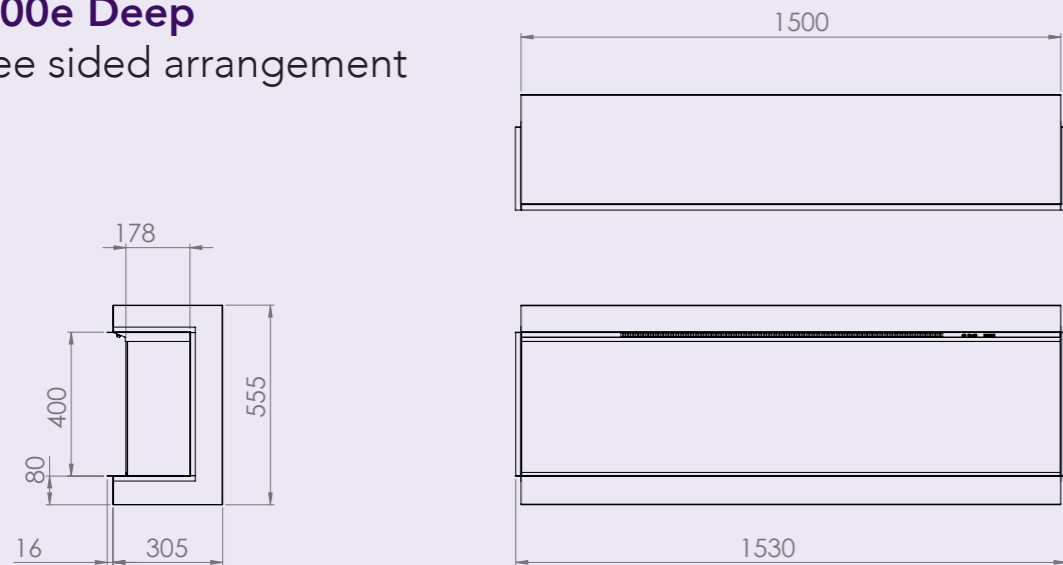
Scan this for instruction videos on YouTube



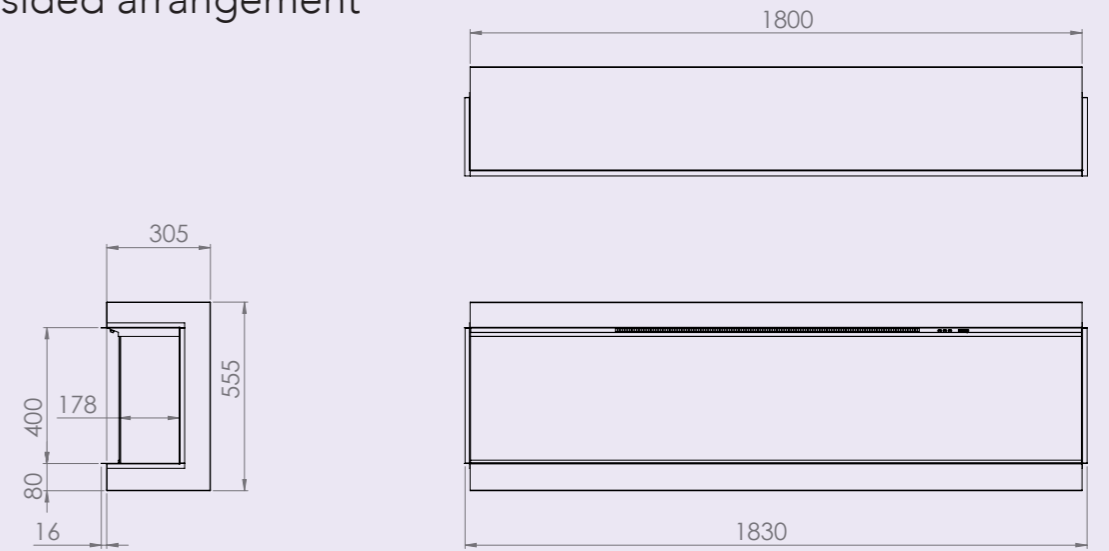
**i1250e Deep** three sided arrangement



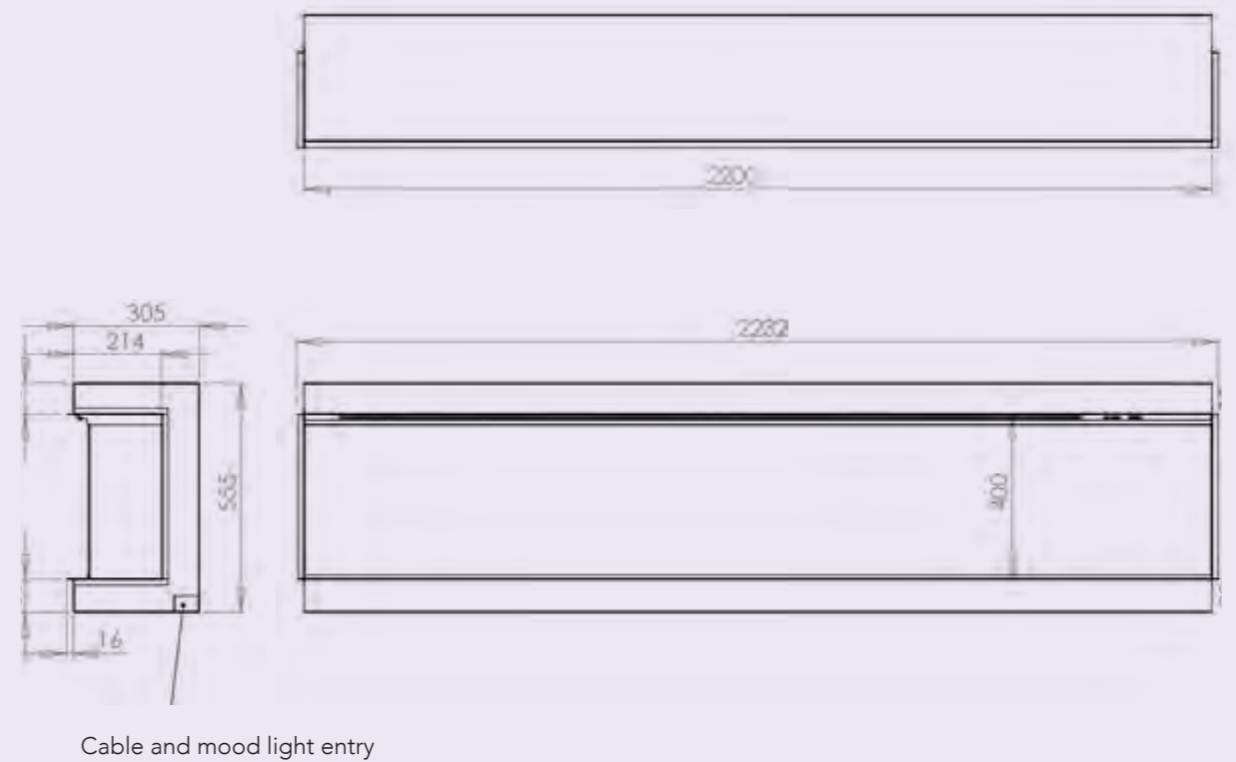
**i1500e Deep** three sided arrangement



**i1800e Deep** three sided arrangement



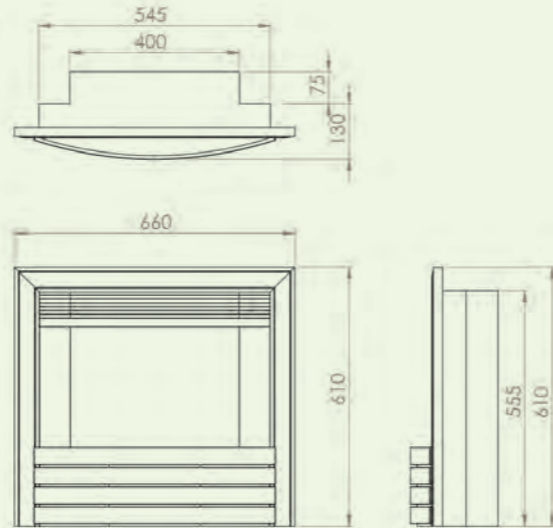
**i2200e Deep** three sided arrangement





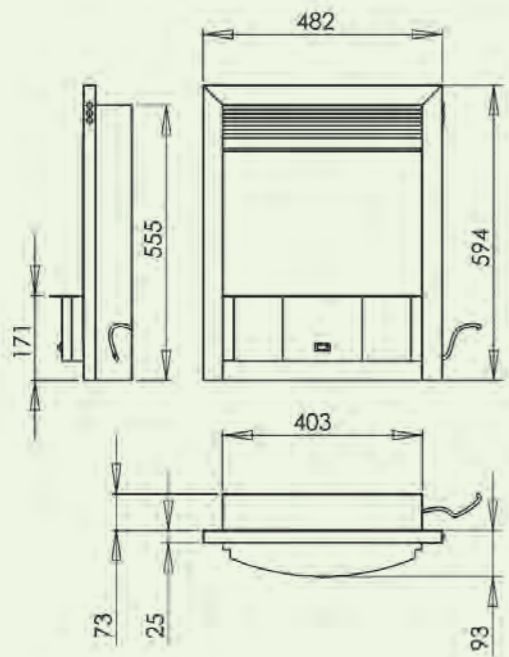
### 4D Ecoflame22

Without spacer



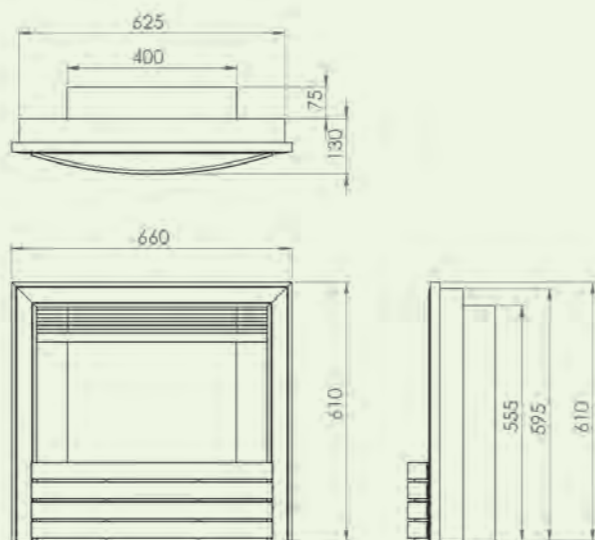
### 3D & 4D Ecoflame™

Ultra-realistic flame effect



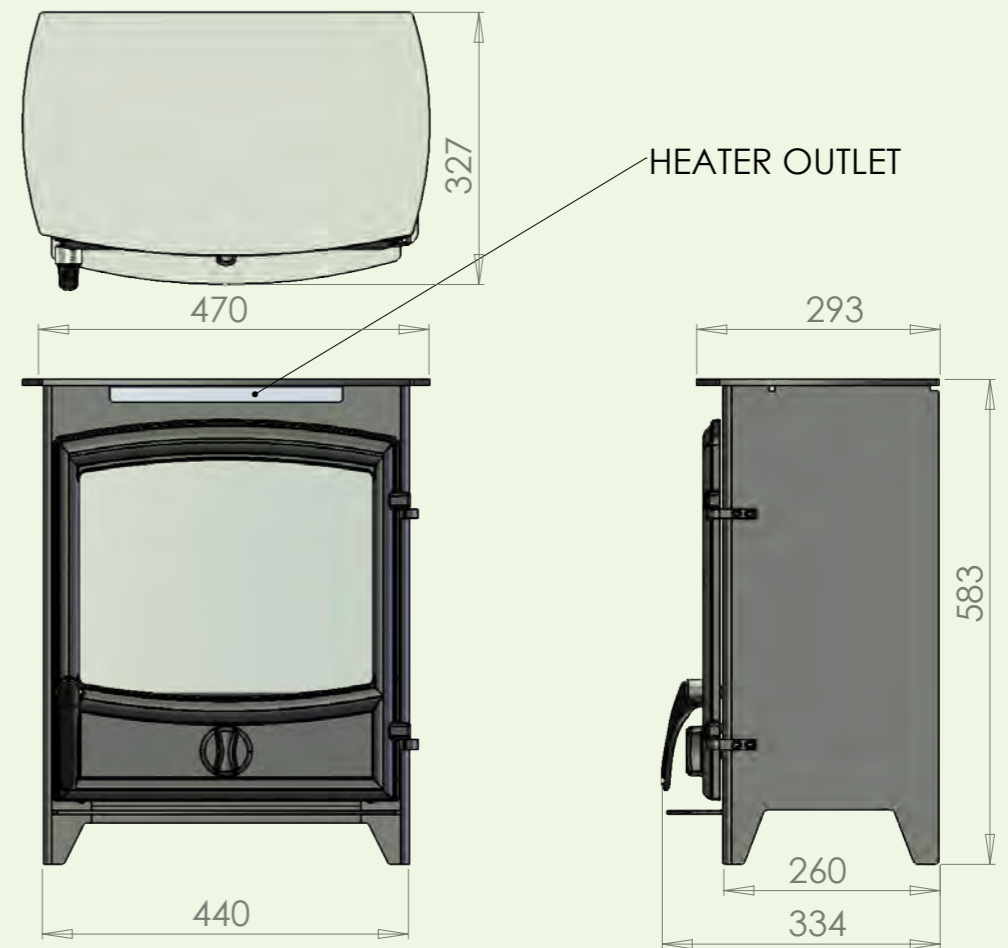
### 4D Ecoflame22

With spacer, can be fitted into a 16" opening



NOTE: Additional standoff spacers are provided for use when TRIM LIGHTS are required.

### 3D Ecoflame™ Stoves



NOTE: All electric stove models all have the same dimensions (curved door shown)



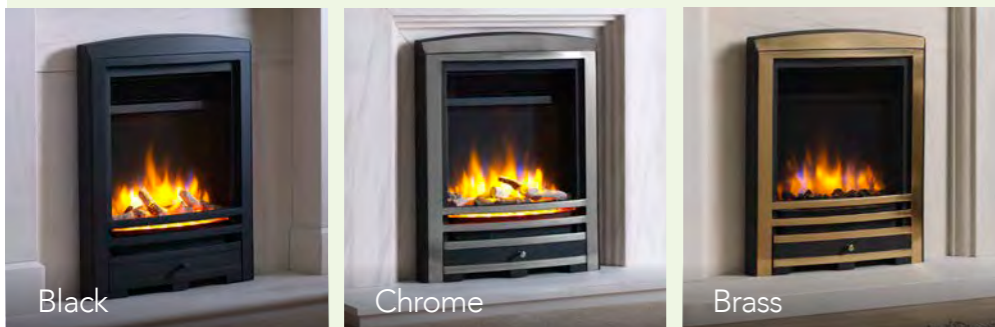
## 3D & 4D ECOFLAME™ TRIM & FASCIA OPTIONS

### Elite Fascia

Only the Elite Fascia is compatible with our optional LED Mood Lighting.



### Cast Arch Fascia



### Square Cast Fascia



### Standard Trim + Cast Gate Fret



FIND YOUR FLAME  
AND SNUGGLE IN

## COMPANY CERTIFICATIONS

**UK CA** The UKCA (UK Conformity Assessed) mark is the new UK product mark that replaces the CE mark for products being placed on the market in Great Britain (England, Wales and Scotland). It covers most products that previously required the CE mark. All our fires comply to this new mark.

**gas safe** Gas Safe Register is the mandatory national competent persons scheme to allow work on gas fittings and appliances in customers' homes. Our service and most of the sales team have completed the regular training courses and sit the regular exams to ensure our customers have the best support and service.

**SIA** SIA Ecodesign Ready marking is an independent scheme run by the Stove Industry Alliance to verify and independently demonstrate that wood burning stoves already meet the strict requirements of the 2022 EU Ecodesign Directive for performance and emissions. HETAS administer this on behalf of the SIA.

**ISO9001** ISO9001 is the internationally recognised standard for Quality Management Systems which in our case includes the activity of product design and development as well as production, sale and support functions. Annual independent audits and certification ensure continued compliance in producing consistent quality products.

**HHIC** HHIC, the Heating and Hot Water Information Council is a trade body representing the UK gas fire industry. As part of the Energy and Utilities Alliance, within the HHIC we have an input into EU and UK standards committees, communicate with Government departments and keep abreast of serious issues affecting the gas fire industry.

**UKAS** ISO14001 is the internationally recognised standard for Environmental Management Systems. Once again this independently audited and certified system makes sure that we are regularly monitoring and reviewing the impact of the business and its products to ensure we minimise negative impacts and promote best practice.

**SIA** SIA, the Stove Industry Alliance is the UK trade body for the solid fuel stove industry. C&J are members of the Executive Committee and currently chair the Technical Committee enabling input into UK and EU standards committees and lines of communication into Government departments and keeping up to date on a wide range of issues affecting the industry.

**clearSkies** ClearSkies is a certification mark for Emissions and Energy Performance of domestic wood & solid fuel stoves and fireplaces. clearSkies ratings, namely the certification levels, will show appliances that meet defined emissions and efficiency thresholds that exceed the minimum requirements set by the ecodesign regulation.

**SIA** DEFRA exemption is the mechanism where our wood burning stoves are checked and certified to comply with the Clean Air Act and therefore allowed to be used in smoke control zones throughout the UK. Involving a strict test programme and independent report, this is then thoroughly assessed by DEFRA advisors before being accepted.

**CE** CE marking of products is mandatory for electric fires and stoves in Europe. We always invest in independent testing and certification to ensure our products meet all necessary requirements for the regions we operate in.



# Charlton & Jenrick<sup>LTD</sup>



01952 200 444

marketing@charltonandjenrick.co.uk

www.charltonandjenrick.co.uk

