

# Paragon

INSET GAS FIRE RANGE



A Great British Product

A collection of highly efficient gas fires

## Charlton & Jenrick<sup>LTD</sup>

Best of British fires, fireplaces & stoves

EST. 1986

# Paragon

INSET GAS FIRE RANGE

## INTRODUCING THE PARAGON 16" GAS FIRE COLLECTION FROM CHARLTON & JENRICK

*For over 35 years, Charlton & Jenrick have been at the forefront of improving the technology and efficiency of 'living flame' gas fires.*

For homes with or without a chimney, for a traditional or modern feel, Paragon has a range of open-flame and super-efficient glass-fronted fires that will create the perfect centrepiece for your living room.

### Tailor your fire to meet your needs

You can tailor your fire to your exact taste and needs, choosing from our extensive range of different frets, trims and fascias, fuel beds, and a choice of control type. You will see that with Paragon you're spoiled for choice.



Here at Charlton and Jenrick we constantly strive to maintain a high level of efficiency, with our most efficient fires achieving up to 95% efficiency.

EXAMPLE USED: CORE BF LPG GAS FIRE

INTRODUCING

## Open-flame for a more welcoming warmth

Nothing is as welcoming as a 'living flame' fire, with superb and realistic fuel beds, designed to give you all the glowing warmth you need.

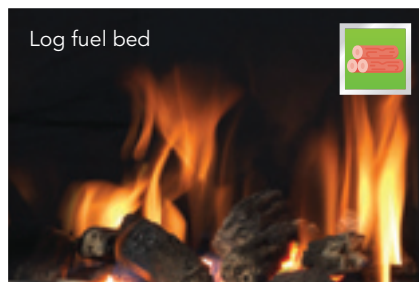


## Glass-fronted for a more efficient heat

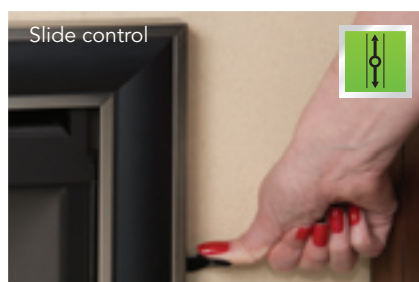
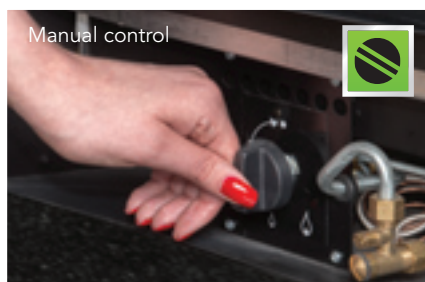
Our glass-fronted gas fires offer class-leading thermal efficiency, so important with today's rising gas prices.



### FUEL BED OPTIONS



### PUTTING YOU IN CONTROL



Choose from manual, slide or remote control, which, unlike many other fires, not only adjusts the flame but lights the fire as well.

# OPTIONS

# EFFICIENCY STANDARDS

## ALL FIRES APPROVED TO LATEST EFFICIENCY STANDARDS FOR UK INSET GAS FIRES.

*As part of the continual improvement programme at Charlton & Jenrick, we take pride in innovating & developing our fires, always striving for improvements. Part of this process requires that we test all our gas fires to the current efficiency standards, ensuring our customers always receive up-to-date products.*

All the open-flue inset fires (both open-front and glass-front) in this brochure have been independently certified to the efficiency requirements of **BS 7977-1:2009+A1:2013** which came into force in late 2013 and included an amendment that requires all gas fires to be tested without excessive spillage on the efficiency test rig to claim an efficiency. Balanced-flue fires and direct connection open-flue fires are tested to the latest revision of **BS EN 613:2001**.

The efficiencies quoted in this brochure are the Net efficiencies which are usually advertised in marketing literature. A brief explanation is on the following spread and if you wish to see a copy of the standards we use, further details can be found at [www.bsigroup.com](http://www.bsigroup.com).

### SAP RATING

If you are buying a new home, the SAP rating will be of importance and the efficiency of the fire can either have a positive or negative effect on the rating. If the efficiency is not certified as precisely to the latest standards (detailed right) then it will be included in the calculation at the minimum level for that class of fire, not the one claimed by the manufacturer.



## Net Efficiency v Gross Efficiency

Net efficiency calculations assume that the energy contained in the water vapour which is formed as a product of combustion is recovered in some way, e.g. into the fabric of the building, and is not lost from the flue/chimney. Gross combustion efficiency calculations assume that the energy contained in the water vapour is not recovered and is lost to the outside air. Typically the difference between the value of net combustion efficiency and the value of gross combustion efficiency for a natural gas fire is around 5 to 8 percentage points with the net value being higher than the gross value. Most gas fire manufacturers quote their efficiencies based on the net combustion efficiency, although the gross value is often stated in the installation instructions for Building Regulations purposes.



## Energy efficiency for SAP ratings in your home

The latest version of The Building Regulations call upon the mentioned standard efficiency tests in relation to calculating the rating of your gas fire for SAP (Standard Assessment Procedure) purposes. If your fire has not been approved to the correct standards then an accurate calculation cannot be made and a nominal low standard figure from the SAP guide will be used instead. For more details please visit [www.gov.uk/standard-assessment-procedure](http://www.gov.uk/standard-assessment-procedure).

When considering your purchase of a gas fire it is important to ensure you are comparing like for like. If unsure, it is always worth confirming with the staff in the showroom you are using, or the manufacturer of the fire, that the appliance has been tested to the very latest version of BS 7977 i.e. including +A1: 2013.

## Tested and approved with guaranteed quality

Every Charlton & Jenrick fire is designed to the highest standards using only the finest materials, as well as being tested and approved to UK and European Standards, meaning we can be confident about every fire we make. So confident, in fact, each fire comes with an extendable 5-year parts warranty.\*

\*Subject to terms and conditions which you will find on our website.



All Charlton & Jenrick gas fires are manufactured under a BS EN ISO 9001 quality system (registration number 5195), which covers all areas of product design, development, manufacture and service.

## TO HELP YOU CHOOSE THE PERFECT FIRE FOR YOU

### FIRE TYPE



OPEN-FLAME



GLASS-FRONTED

### CHIMNEY TYPE (FLUES)



CLASS 1



CLASS 2



BALANCED FLUE (BF)



PRE-CAST FLUE

### GAS TYPE



NATURAL GAS (NG)



LIQUIFIED PETROLEUM GAS (LPG)

### FUEL BED OPTIONS



LOG FUEL BED



COAL FUEL BED

### GLASS TYPE OPTIONS (GLASS-FRONTED ONLY)



ANTI-REFLECTIVE HIGH-EFFICIENCY GLASS



HIGH-EFFICIENCY GLASS

### CONTROL



REMOTE CONTROL



SLIDE CONTROL



MANUAL CONTROL

### FEATURES



OUTPUT



NET EFFICIENCY



GUARANTEED QUALITY



## OPEN-FLAME GAS FIRES

### PAGE 8

---

2000 PLUS



### PAGE 10

---

2000 LOW LINTEL



### PAGE 12

---

SLIMLINE 3



### PAGE 14

---

PARAGON ONE



### PAGE 16

---

PARAGON ONE EVOLUTION



## GLASS-FRONTED GAS FIRES

### PAGE 20

---

FOCUS HE



### PAGE 22

---

CORE HE



### PAGE 24

---

FOCUS RS PLUS BF



### PAGE 26

---

CORE BF



### OPTIONS & TECHNICAL

---

FRET OPTIONS	28
TRIM OPTIONS	29
FASCIA OPTIONS	30
CHIRBURY CAST	32
FLUE TYPES	34
FLUE COMPATIBILITY	35
SPECS & DIMENSIONS	36

# CONTENTS

# Paragon

INSET GAS FIRE RANGE

## 2000 PLUS

No more pre-cast flue compromises. The 2000 Plus is our most versatile fire. It is designed specifically for chimneys or pre-cast flues.

Nothing is as welcoming as a 'living flame' fire and with the 2000 Plus range you can find a model to fit every home, making a statement in any room. The superb, realistic coal fuel bed produces up to 3.56kW heat output at a 57% efficiency, giving you all the glowing warmth you need.

But the 2000 Plus range isn't just about practical efficiency; it's also about style and design. You can choose from a large range of trim and fascia options, allowing you to make a real style statement with a contemporary look, or go for a more traditional design.

### Key Features

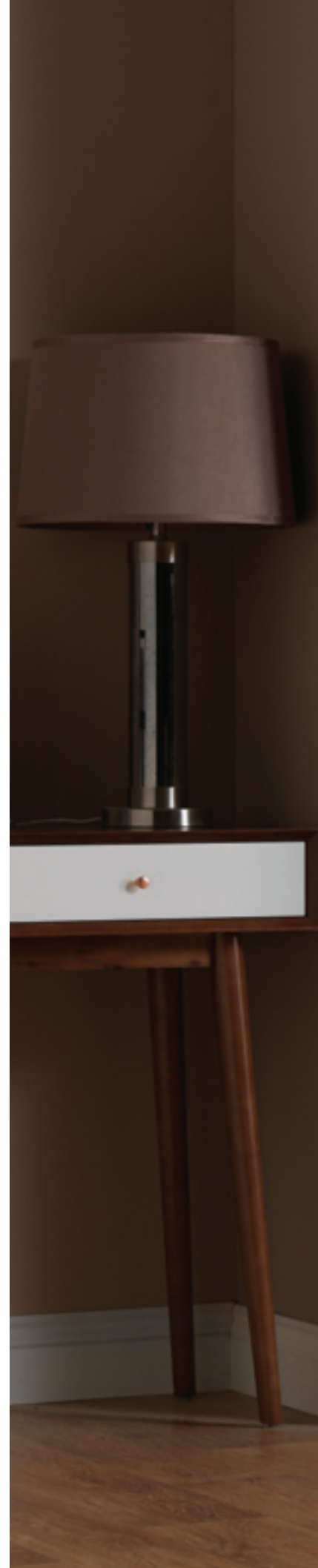
- Fits a Class 1, Class 2 chimney or a Pre-cast flue
- 3.56kW output from a 7kW input
- Choose a control system to suit you: manual, slide or even full sequential remote control
- Realistic coal fuel bed
- 5-year extendable parts guarantee, subject to terms and conditions
- Natural Gas or LPG
- No additional ventilation required
- 57% efficient to **BS 7977-1:2009 + A1:2013** (as amended).



For specifications refer to the technical datasheet



2000 Plus with Brass Cast Arch Fascia and Coal Fuel Bed



Choose the style and design to suit your home  
A complete range of trim, fascia and fret options is shown on pages 30-31.





2000 Plus in Elite Satin Fascia and Coal Fuel Bed shown with Aylesbury Surround

# Paragon

INSET GAS FIRE RANGE

## 2000 LOW LINTEL

All the features and benefits of the Paragon 2000 Plus with a reduced-height fire box to fit into 20" openings.

Like the 2000 Plus, the 2000 Low Lintel is designed to fit most chimneys and has the added benefit of fitting under lintels that are 20 inches off the hearth. The realistic coal fuel bed also features on this model creating a warm, cosy look.

Stylish looks are enhanced with three trim options to enable you to make your fire unique to you. Slide control operation allows you to control every aspect of the fire with one lever, enhancing the usability of the fire.

### Key Features

- Fits a Class 1, Class 2 chimney or a Pre-cast flue
- 3.56kW output from a 7kW input
- Available with slide control
- Realistic coal fuel bed
- 5-year extendable parts guarantee, subject to terms and conditions
- Choice of brass, black, or chrome trims
- 56.6% efficient to **BS 7977-1:2009 + A1:2013** (as amended).



For specifications refer to the technical datasheet



2000 Low Lintel in Brass Gate Fret and Trim with Coal Fuel Bed





2000 Low Lintel with Chrome Trim and Bayswater Fret with Coal Fuel Bed shown in Beckford Surround

## SLIMLINE 3

Slim, elegant and the perfect fire for virtually any chimney or flue.

With its remarkably slim profile, the Slimline 3 is especially designed for pre-cast flues but will fit almost any flue, from conventional chimneys to pre-cast flues.

A wide choice of trims, frets, and fascias allow you to customise the fire to match traditional or modern environments.

A choice of manual and slide control methods allows you to the perfect control method for you. Advanced burner technology offers a generous output of 4.1kW at a 65% efficiency, making it an impressive all-rounder.

### Key Features

- Fits a Class 1, Class 2 chimney or a Pre-cast flue
- 4.1kW output from a 7kW input
- Choice of manual or slide controls
- Realistic coal fuel bed
- An advanced burner provides what is probably the most realistic flame effect and fuel bed with high-efficiency heat output
- A unique front of fire bed glow adds to the welcoming realism of this exquisite model
- 5-year extendable parts guarantee, subject to terms and conditions
- Fits majority of pre-cast flues on a 1" rebate
- 65% efficient to **BS 7977-1:2009 + A1:2013** (as amended).



For specifications refer to the technical datasheet



**Slimline 3** in Brass Trim and Antique Wellington Fret with Coal Fuel Bed

**Flue and hearth:** The Slimline 3 range is designed to operate on pre-cast, class I and class II flues. The minimum diameter of a circular flue is 125mm (5") with minimum effective height of 3 metres. Pre-cast flues must be constructed correctly and the appliance must pass a spillage test upon installation. A non-combustible hearth extending a minimum of 300mm (12") in front of the fire and 150mm (6") either side, with a non-combustible depth of 50mm (2") is required. All chimneys and flues should be regularly checked for debris and efficiency and be swept where appropriate.

**Ventilation:** The Slimline 3 range does not normally require any purpose-built ventilation. Please note that within the island of Ireland, permanent ventilation must comply with the regulations currently in force.



Slimline 3 with Brass Elite Fascia with Coal Fuel Bed shown in Aylesbury Surround

## PARAGON ONE

An open-flame fire designed to fit most chimneys and class II flues.

The Paragon One has been designed to give you the big picture with its huge, realistic coal fuel bed. In common with all Paragon products, a wide choice of trims and frets are available to enable you to create your perfect fire.

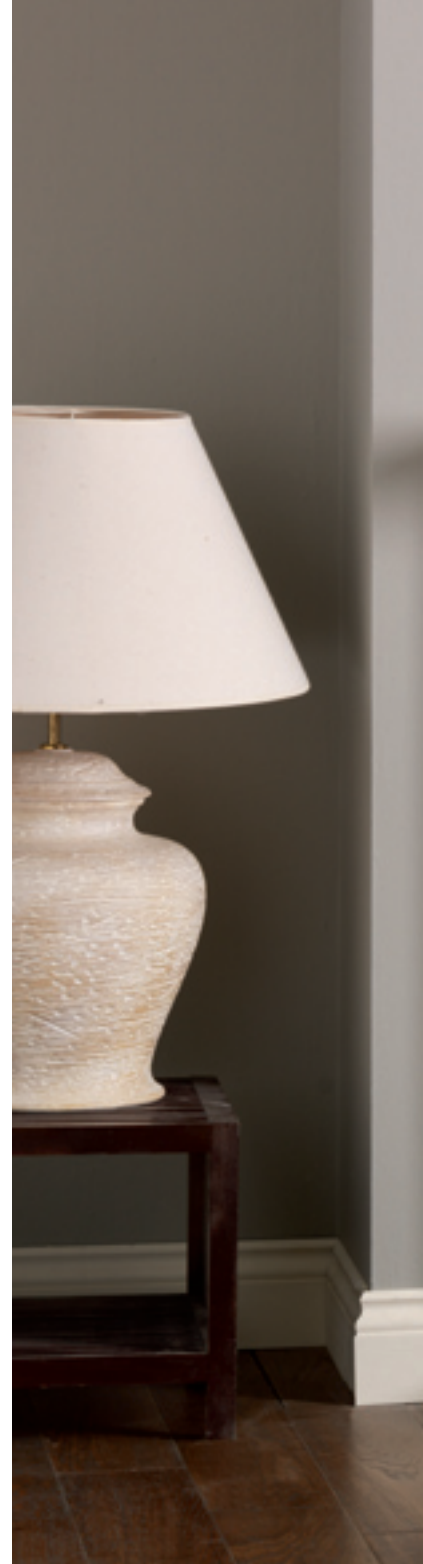
The Paragon One is a class-leading fire for installation into chimneys & class 2 flues. There is no canopy to disturb the clean, modern lines of this fire, and the 3.5kW heat output will keep you warm whatever the weather.

### Key Features

- Fits a Class 1 and Class 2 chimney
- 3.5kW output from a 7kW input
- Choose a control system to suit you: manual, slide or even full sequential remote control
- Realistic coal fuel bed
- Extra wide and deep fuel bed creating a warm and cosy look
- 5-year extendable parts guarantee, subject to terms and conditions
- No canopy to mar the clean lines of this classically styled fire
- 56% efficient to **BS 7977-1:2009 + A1:2013** (as amended).



For specifications refer to the technical datasheet





Paragon One in Black Cast Arch Fascia with Coal Fuel Bed shown in Beckford Surround



Paragon One in Chrome Cast Arch Fascia with Coal Fuel Bed

## PARAGON ONE EVOLUTION

A new and improved open-flame fire designed to fit most chimneys and class II flues.

Create a lovely warm living area with this open-flame gas fire that gives an impressive 4.4kW output and 63% efficiency. Our realistic coal fuel bed creates a warm aesthetic, perfect for relaxing on a cold winters night.

Our full range of control options are available with this fire, allowing full flexibility for fire operation. This fire comes as standard with a two-year parts and labour warranty, with the option of extending the parts warranty for a further three years, a hallmark of the durability of the product.

### Key Features

- Fits a Class 1 and Class 2 chimney
- 4.4kW output from a 7.7kW input
- Realistic coal fuel bed
- Choose a control system to suit you: manual, slide or even full sequential remote control
- 5-year extendable parts guarantee, subject to terms and conditions
- No ventilation required
- Compatible with a large range of C&J trims, frets and fascias
- 63% efficient to **BS 7977-1:2009 + A1:2013** (as amended).



For specifications refer to the technical datasheet



Paragon One Evolution in Pewter Square Cast Fascia with Coal Fuel Bed shown in Aylesbury Surround





Paragon One Evolution in Chrome Elite Fascia with Coal Fuel Bed shown in Aylesbury Surround

## THE LATEST COLLECTION OF GLASS-FRONTED GAS FIRES FROM PARAGON

Designed for today's homes with or without a chimney.

Choose the style to suit your home, whether traditional or contemporary – all offering superb high-efficiency, class-leading performance.

### Spoiled for choice

With Paragon's range of glass-fronted fires you are spoiled for choice, with traditional cast-iron fascia options in a variety of styles, designs, and finishes.

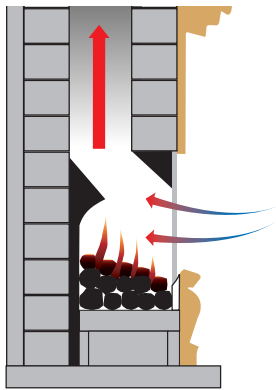
#### More efficient than conventional products

Fires working in a chimney draw warm air from the room into the chimney and it is then replaced by cold air from the outside. This air then has to be heated by the fire, reducing efficiency and increasing costs.

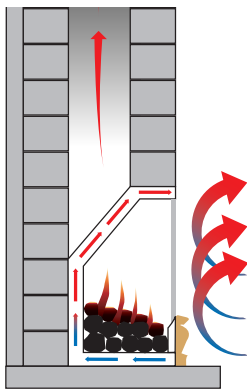
The Paragon Focus range has been scientifically designed to reduce this airflow to a minimum, changing the room air just once per hour against a typical open-fronted gas fire that will change room air up to 12 times per hour.

Minimum room air changes combined with superior thermal efficiency achieved by ceramic glass-front technology give this range a new level of efficiency and performance.

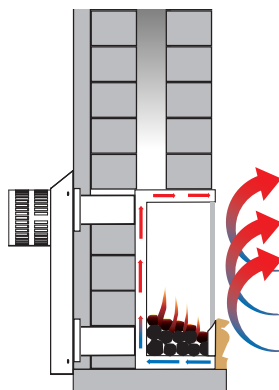
The Focus range of fires is now available for homes with or without a chimney and the fires are amongst the most efficient designs available.



Typical open-fronted gas fire changes room air up to 12 times per hour.



Paragon Focus HE changes room air just once per hour.



Paragon's Focus RS range does not produce any air changes per hour, as it is room sealed.





## GLASS-FRONTED GAS FIRES

### PAGE 20

#### FOCUS HE



### PAGE 22

#### CORE HE



### PAGE 24

#### FOCUS RS PLUS BF



### PAGE 26

#### CORE BF



### OPTIONS & TECHNICAL

FRET OPTIONS	28
TRIM OPTIONS	29
FASCIA OPTIONS	30
CHIRBURY CAST	32
FLUE TYPES	34
FLUE COMPATIBILITY	35
SPECS & DIMENSIONS	36

# CONTENTS



## FOCUS HE

A stylish highly efficient glass-fronted gas fire that will enhance any living room.

A contemporary design offering efficient heating for homes with class 1 or class 2 flues. A wide range of fret, trim, and fascia options allow you to create a unique look for your fire perfectly matching your home.

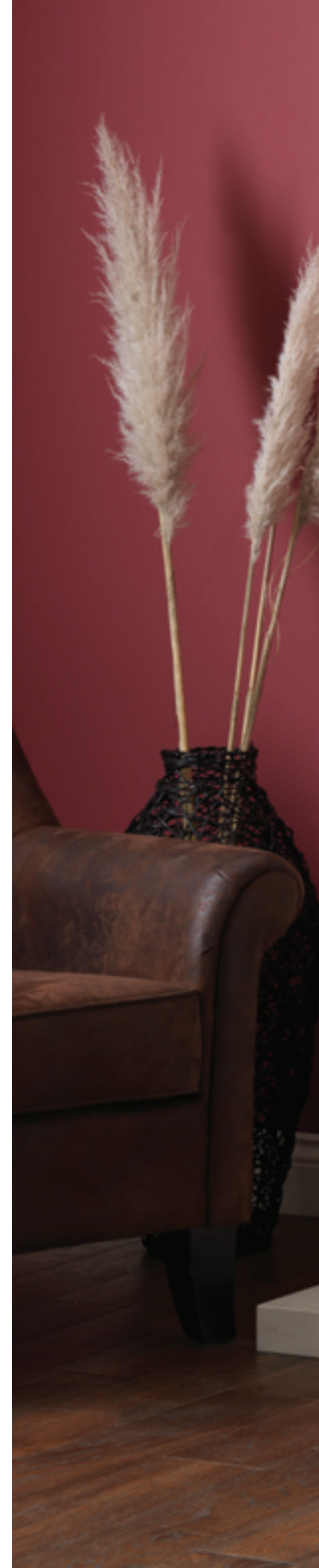
The new full-length ceramic glass window gives class-leading thermal efficiency of 82% and a heat output of 4.4kW. This fire is compatible with Natural Gas and LPG inputs, creating a versatile fire that is suitable for any home.

### Key Features

- Fits a Class 1 or Class 2 chimney
- 4.4kW output from a 5.5kW input
- Choose a control system to suit you: manual, slide or even full sequential remote control
- Realistic coal fuel bed
- 5-year extendable parts guarantee, subject to terms and conditions
- Natural Gas or LPG
- Ceramic glass technology
- Pixelated edge glass for clean, neat styling
- Compatible with a large range of C&J trims, frets and fascias
- Only requires a 4" minimum hearth depth from wall
- 82% efficient to **BS 7977-1:2009 + A1:2013** (as amended).



For specifications refer to the technical datasheet





Focus HE in Brass Cast Arch Fascia with Coal Fuel Bed shown in Aylesbury Surround



## CORE HE

A truly glamorous real flame fire with heart-warming heat output, ease of use, stunning appearance and economical fuel burn.

Designed to provide the ultimate in warm and comfortable living spaces.

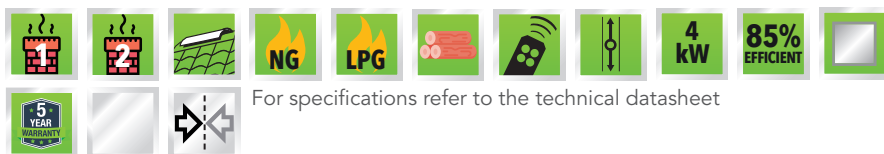
At the heart of the fire is the 'Core burner technology' which provides the ultimate in realistic flickering flames, glowing embers and black reflective glass internal liners. All of this results in a full, bright and glowing fire with a fantastic appearance that has you wondering whether it is actually a real log fire you are watching!

Paragon Core HE is not just about the outstanding look though; it offers superb performance with a useful efficiency of up to 85% with a substantial heat output of up to 4kW.

Newly added to the range this year is the opportunity to have standard glass instead of anti-reflective with a new ceramic liner option for a more rustic look.

### Key Features

- Fits a Class 1, Class 2 chimney or a Pre-cast flue
- 4kW output from a 5.2kW input
- Choose a control system to suit you: slide or full sequential remote control
- High-definition hand-finished realistic log-effect fuel bed
- 5-year extendable parts guarantee, subject to terms and conditions
- Natural Gas or LPG
- Anti-reflective glass panel and standard glass options. Anti-reflective glass reduces the majority of reflections and gives the fire an 'open' effect
- Black Mirror Glass or Ceramic firebox liners
- The Core HE is suitable to be fitted with all the current Paragon range of trim, fret and fascia options
- 85% efficient to **BS 7977-1:2009 + A1:2013** (as amended).



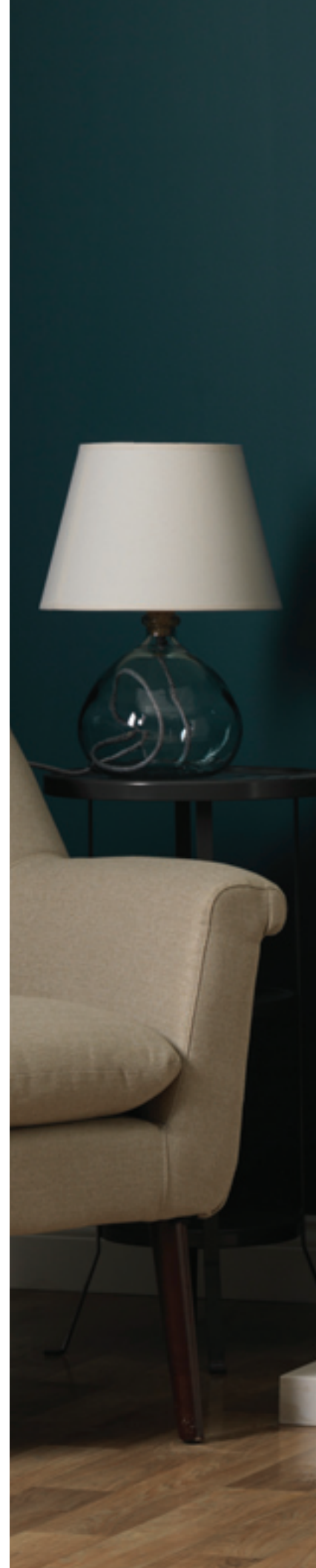
For specifications refer to the technical datasheet



Core HE in Chrome Elite Fascia with Log Fuel Bed



Scan the QR code to see the Paragon Core HE in action on YouTube now ▶





Core HE in Pewter Square Cast Fascia with Log Fuel Bed shown in Stokesay Surround



## FOCUS RS PLUS BF

One of the most efficient balanced-flue fires on the market.

The award-winning Paragon RS was a trailblazer in putting the fire back into the fireplace rather than in front of it. The next generation Focus RS Plus BF has been designed to build on this excellent foundation.

This fire produces a truly impressive 85% efficiency from a 4.3kW heat output, meeting the European Class One energy standard in the process. This fire benefits from a wide range of trim, fret, and fascia options allow you to customise your fire to your home.

### Key Features

- For homes without a chimney
- 4.3kW output from a 5.4kW input
- Choose a control system to suit you: manual, slide or even full sequential remote control
- Realistic coal fuel bed
- 5-year extendable parts guarantee, subject to terms and conditions
- Natural Gas or LPG
- Pixilated edge glass for clean, neat styling
- Only requires a minimum of 4" hearth depth from the wall
- Can be mounted in up to 1.18 metre thick wall. This makes it the fire of choice for houses where the chimney has either failed or been removed at roof level
- For the complete range of trim and fret options available, see pages 28-29
- 85% efficient to **BS EN 613:2001**.



For specifications refer to the technical datasheet



Focus RS Plus BF in Brass Trim and Gate Fret with Coal Fuel Bed



Focus RS Plus BF in Brass Elite fascia with Coal Fuel Bed







Focus RS Plus BF with Chrome Elite Fascia with Coal Fuel Bed shown in Stokesay Surround



## CORE BF

A truly glamorous real flame fire with heart-warming heat output, ease of use, stunning appearance and economical fuel burn.

The Core balanced flue is the first no-chimney product to use the 'Core' burner technology. The all-new Core burner and terminal design from Paragon boasts the highest efficiency to date for a natural gas inset fire at 89%.

Along with this amazing performance, the Core balanced flue provides the ultimate in realistic flickering flames, glowing embers and black reflective glass internal liners.

## Key Features

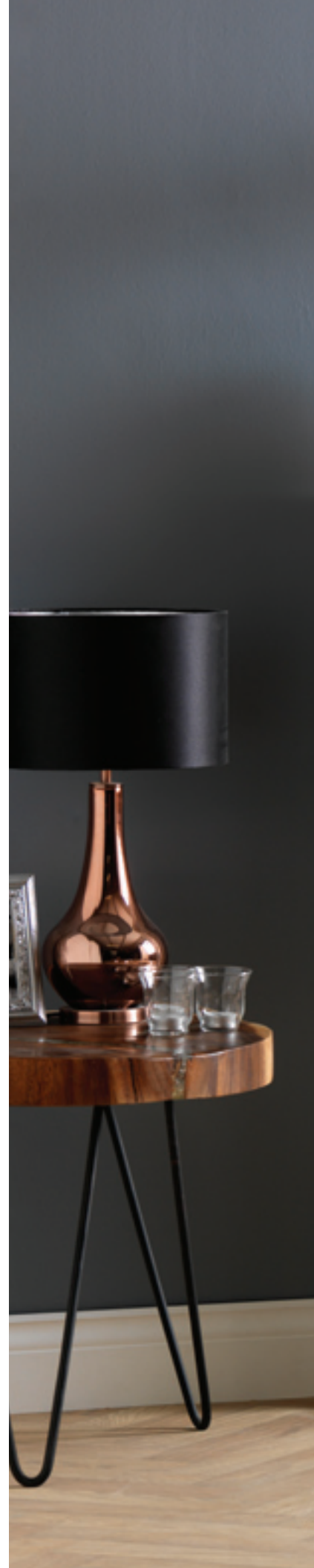
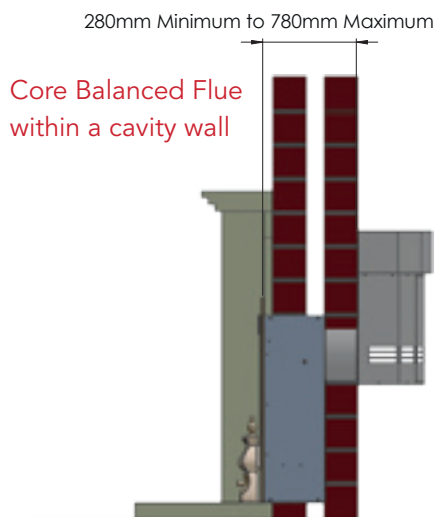
- For homes without a chimney
- Up to 3.9kW output from a 4.9kW input
- Choose a control system to suit you: slide or full sequential remote control
- Realistic log fuel bed
- 5-year extendable parts guarantee, subject to terms and conditions
- Natural Gas or LPG
- Anti-reflective glass as standard. This reduces the majority of reflection and gives the fire an 'open' feel
- High-temperature black glass mirror fire box liners fitted as standard
- The Core balanced flue is suitable to be fitted with all the current Paragon range of trim, fret and fascia options
- Only requires a minimum 4" (100mm) hearth depth from the wall
- Can be mounted into walls up to 780mm thick (maximum flue length of 600mm). This allows the fire to be used in houses where the chimney has either failed or been removed at roof level
- 89% efficient to **BS EN 613:2001**.



For specifications refer to the technical datasheet



Core BF in Black Cast Arch Fascia with Log Fuel Bed





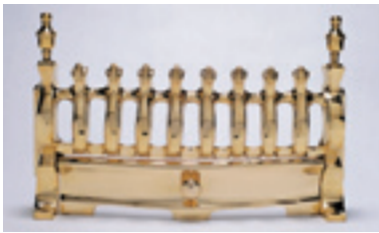
Core BF in Chrome Elite Fascia with Log Fuel Bed shown in Balmoral Surround

## CHOOSE THE PERFECT FRET FOR YOUR FIRE

### Fret Compatibility

MODEL	WELLINGTON	GATE	BAYSWATER
2000 PLUS	✓	✓	✓
2000 LOW LINTEL	✓	✓	✓
SLIMLINE 3	✓	✓	✓
PARAGON ONE	✓	✓	✓
PARAGON ONE EVOLUTION	✓	✓	✓
FOCUS HE	✓	✓	✓
CORE HE	✓	✓	✓
FOCUS RS PLUS BF	✓	✓	✓
CORE BF	✓	✓	✓

### Wellington fret



Wellington Brass Fret



Wellington Antique Fret

### Gate fret



Gate Brass Fret



Gate Chrome Fret



Gate Black Fret

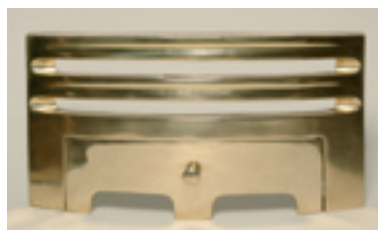


Gate Brushed Stainless Steel

### Bayswater fret



Bayswater Chrome Fret



Bayswater Brass Fret

FRET OPTIONS

## CHOOSE THE PERFECT TRIM FOR YOUR FIRE

### Trim Compatibility

MODEL	STANDARD
2000 PLUS	✓
2000 LOW LINTEL	✓
SLIMLINE 3	✓
PARAGON ONE	✓
PARAGON ONE EVOLUTION	✓
FOCUS HE	✓
CORE HE	✓
FOCUS RS PLUS BF	✓
CORE BF	✓

### Standard trim

Available for Manual, Slide Control & Remote fires



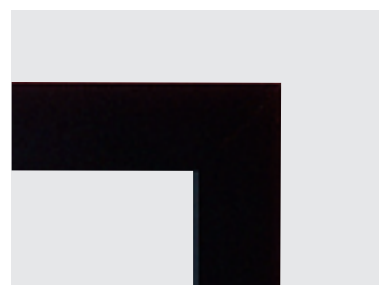
Standard Trim Brass



Standard Trim Brushed Stainless Steel



Standard Trim Stainless Steel



Standard Trim Black

TRIM OPTIONS

## COMPLETE TRIM AND FRET IN ONE

Choose the perfect fascia for your fire

Fascia Compatibility\*†

MODEL	CAST ARCH	SQUARE CAST	ELITE
2000 PLUS	✓	✓	✓
2000 LOW LINTEL	✗	✗	✗
SLIMLINE 3	✓	✓	✓
PARAGON ONE	✓	✓	✓
PARAGON ONE EVOLUTION	✓	✓	✓
FOCUS HE	✓	✓	✓
CORE HE	✓	✓	✓
FOCUS RS PLUS BF	✓	✓	✓
CORE BF	✓	✓	✓

Simply put, a fascia is a trim and fret in a complete unit.

On this page you will find a collection of fascias that fit the Paragon range of gas fires in this brochure. The table to the left will guide you to which fascias can be used with the specific gas fires.

Three-sided fascias are designed to sit on the hearth in a traditional setting.

\* Fascias may not be available in all colour options for all control types.

Please ask your retailer who can discuss options with you.

† To use a fascia on glass-fronted fires the fret top plate must be removed.

# FASCIA OPTIONS

## Cast Arch fascia options

Available for Manual, Slide Control & Remote fires (for Slide there is a removable section from the manual trim to allow for the slide lever).



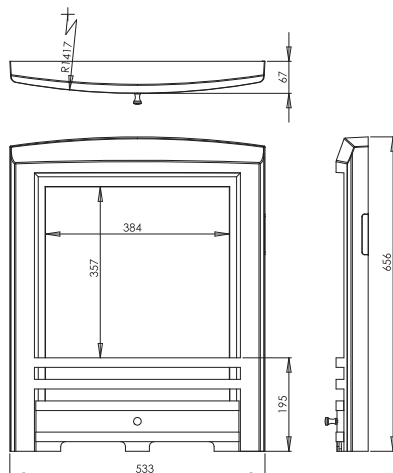
Cast Arch Brass Fascia



Cast Arch Black Fascia



Cast Arch Chrome Fascia



## Square Cast fascia options

Available for Manual, Slide Control & Remote fires

(for Slide there is a removable section from the manual trim to allow for the slide lever).



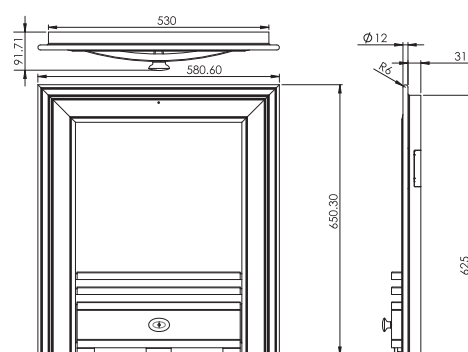
Cast Square Pewter Fascia



Cast Square Brass Fascia



Cast Square Gun Metal Fascia



## Elite fascia

Available for Manual, Slide Control & Remote fires



Elite Chrome Fascia



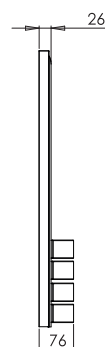
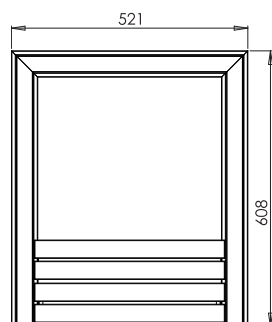
Elite Satin Fascia



Elite Brass Fascia



Elite All Chrome Fascia



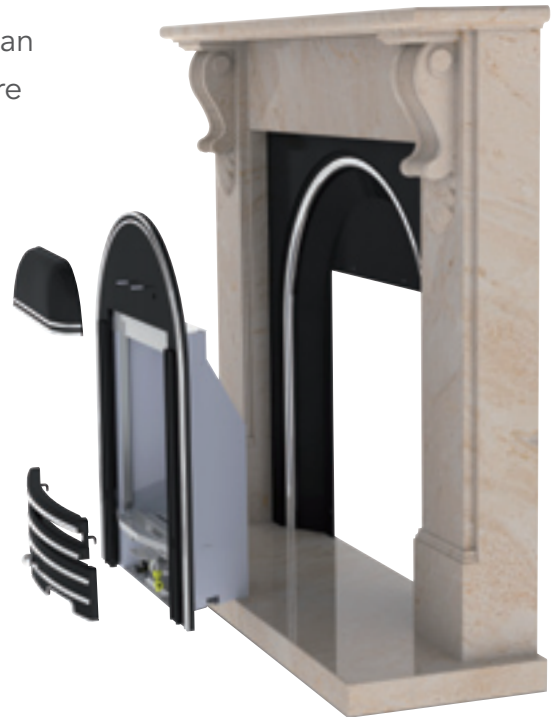
## CHIRBURY CAST

### Chirbury Performance Combo Cast

The Performance Combo provides the traditional Victorian cast fireplace appearance with the advantage of a gas fire of a higher performance and efficiency, which would not normally be available with a traditional cast.

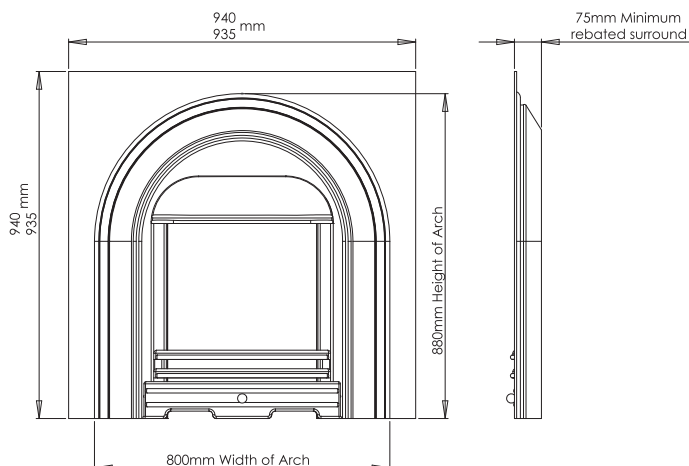
This patented system is designed to work with the Paragon One, Paragon One Evolution, Paragon 2000 Plus, Paragon Core HE & Slimline 3 fires in this brochure (Manual and remote versions only).

This cast is also designed for use with our glass-fronted gas fires. The cast allows for easy removal of the fire for its annual servicing, something that many casts can't facilitate.



A large selection of casts are available. Please contact us for more details.

# CASTS







Paragon One in Chirbury Cast with Coal Fuel Bed

## CHOOSING THE RIGHT FIRE FOR YOUR LIFESTYLE

Current gas safety regulations stipulate that any gas installation must be carried out by a Registered Gas Safe engineer. Your Paragon authorised dealer will be able to advise you on which model will best suit your home, what options are available and how to choose your Gas Safe registered fitter.

Our network of nationwide dealers is here to help you to enjoy the experience of owning a living flame gas fire. Due to the vast number of varying flue types, your existing fire may need to be removed to confirm your flue and product suitability.

### Typical flue types



Chimney

A **brick chimney (Class I)** is recognised by a chimney stack with accompanying terracotta pot or gas terminal. Internal dimensions are usually either 9" x 9" (229 x 229mm) square or 8" – 9" (229 – 254mm) round cross-section.



Pre-fabricated flue

A **pre-fabricated flue (Class II)** has a metal flue and terminal. The internal dimensions are usually 5" (125mm) or greater round cross-section.



Pre-cast flue

A **pre-cast flue** can be identified by a ridge vent or metal flue tube and terminal. The internal dimensions vary but most Paragon fires will operate on 13,500mm<sup>2</sup> or greater cross-section pre-cast flues in good working order.



No chimney or flue

**No chimney or flue** – if you have nothing on your roof, you probably have no chimney or flue. In this case, a **balanced flue** will usually suit this situation when positioned on a suitable outside wall.

## Flue type compatibility



MODEL	PRE-CAST	CLASS 1	CLASS 2	BALANCED
2000 PLUS	✓	✓	✓	✗
2000 LOW LINTEL	✓	✓	✓	✗
SLIMLINE 3	✓	✓	✓	✗
PARAGON ONE	✗	✓	✓	✗
PARAGON ONE EVOLUTION	✗	✓	✓	✗
FOCUS HE	✗	✓	✓	✗
CORE HE	✓	✓	✓	✗
FOCUS RS PLUS BF	✗	✗	✗	✓
CORE BF	✗	✗	✗	✓

**Note:** All chimneys and flues should be regularly checked for debris and efficiency and swept where appropriate. Chimneys and flues, even if properly constructed, can suffer from unexpected problems that cannot always be detected prior to installation. For this reason, the smoke test outlined in the fitting instructions must always be completed prior to and after installation of any gas fire.



FLUE COMPATIBILITY

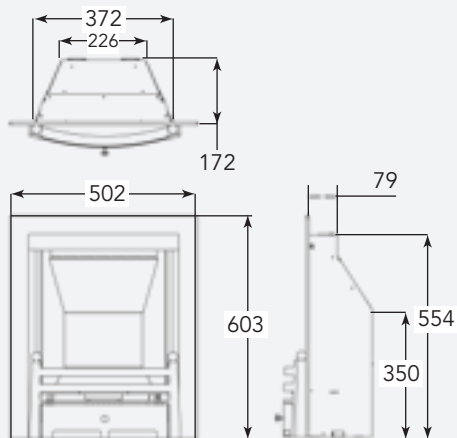


All Paragon gas fires are manufactured under a BS EN ISO 9001 quality system (registration number 5195), which covers all areas of product design, development, manufacture and service.

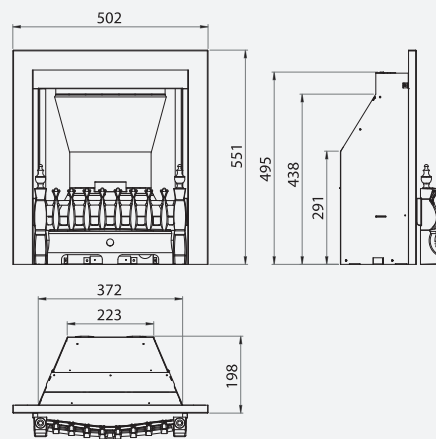
## DIMENSIONS AND SPECIFICATIONS

### Paragon Open-flame fires

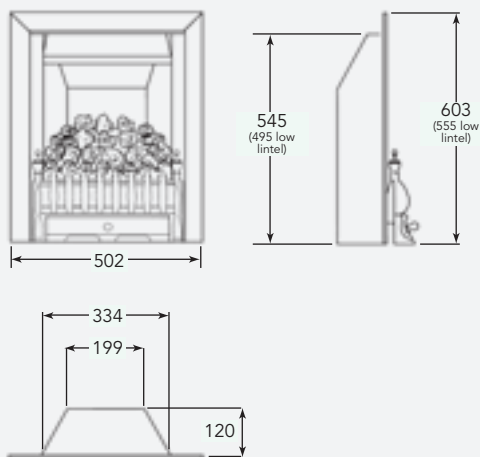
2000 Plus Range



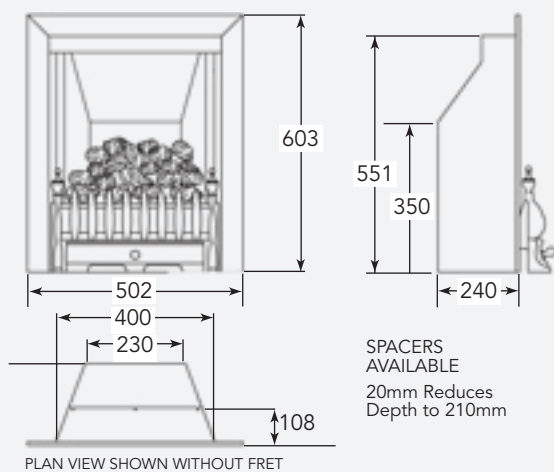
2000 Low Lintel



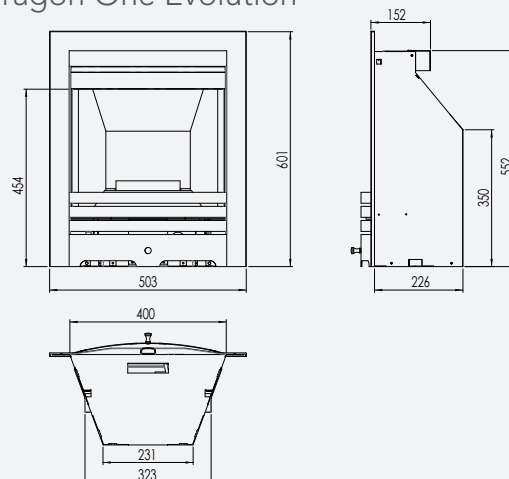
Slimline 3 Range



Paragon One



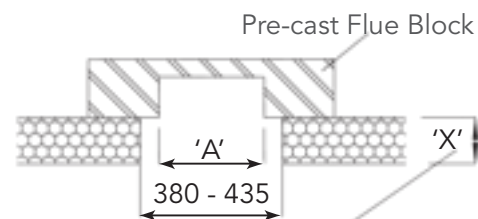
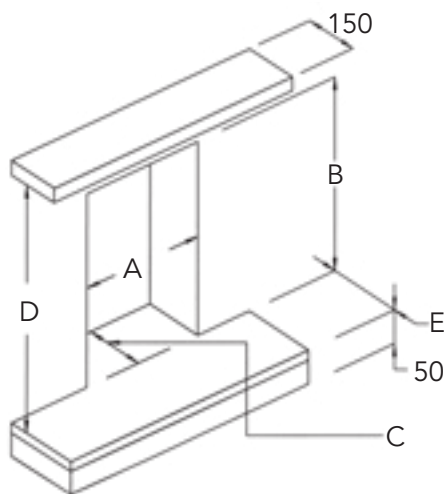
Paragon One Evolution



## Chimney type, gas type, heat inputs, outputs, efficiency and measurements

MODEL	CHIMNEY TYPE	GAS TYPE	INPUTS, OUTPUTS & EFFICIENCY						CONTROL OPTIONS			VISIBLE DIMENSIONS W X H (mm)	FIREPLACE OPENINGS:				
			GROSS INPUT HIGH (kW)	OUTPUT HIGH (kW)	NET EFFICIENCY (%)	INPUT LOW (kW)	EFFICIENCY CLASS	ENERGY CLASS	MANUAL	SLIDE CONTROL	REMOTE		HEIGHT MIN (mm)	HEIGHT MAX (mm)	WIDTH MIN (mm)	WIDTH MAX (mm)	DEPTH MIN (mm)
2000 PLUS	Class 1 & 2	NG	7.00	3.56	57.0	2.4	2	F	•	•	•	350 x 350	458	552	380	478	185
	Class 1 & 2	LPG	6.65	4.00	57.0	2.4	2	F	•	•	•	350 x 350	458	552	380	478	185
2000 LOW LINTEL	Class 1 & 2	NG	7.00	3.56	56.6	2.4	2	F		•		350 x 300	500	526	380	478	185
SLIMLINE 3	Class 1 & 2	NG	7.00	4.10	65.0	2.4	2	F	•	•		300 x 250	550	570	340	440	140
PARGON ONE	Class 1 & 2	NG	7.00	3.50	56.0	2.4	2	F	•	•	•	350 x 250	552	578	380	458	250
PARAGON ONE EVOLUTION	Class 1 & 2	NG	7.70*	4.40	63.0	2.4	2	F	•	•	•	350 x 250	552	578	380	458	250

\* No ventilation required



ADDITIONAL DEPTH INCLUDING PLASTER AND FIREPLACE

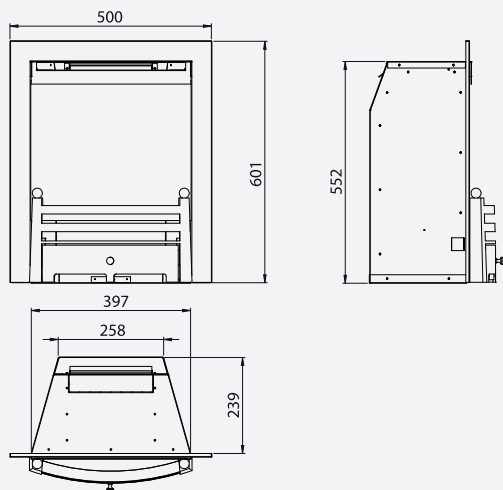
SPACER	'X' MINIMUM (including plaster)	
	NONE	20mm
2000	300	83
	310	70
	320	60
Slimline	300	30
	320	15



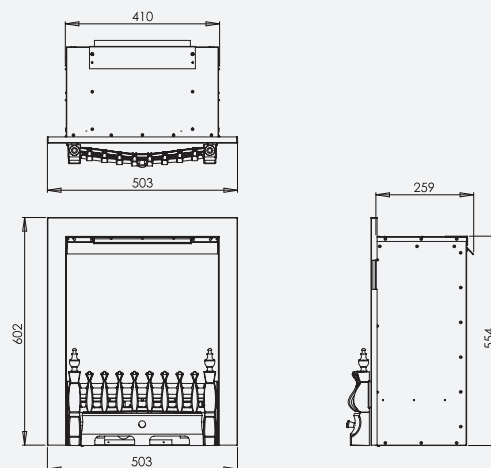
## DIMENSIONS AND SPECIFICATIONS

### Paragon Glass-fronted fires

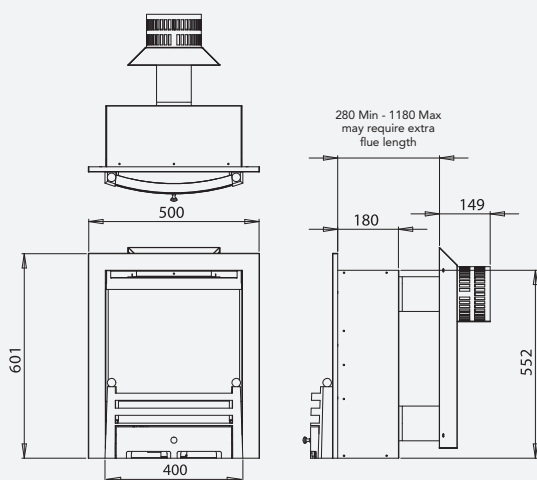
Focus HE



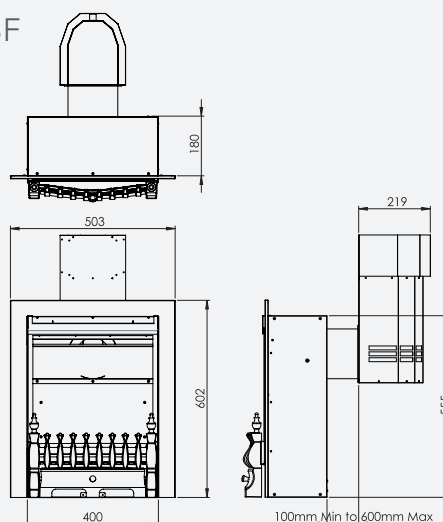
Core HE



Focus RS Plus BF



Core BF

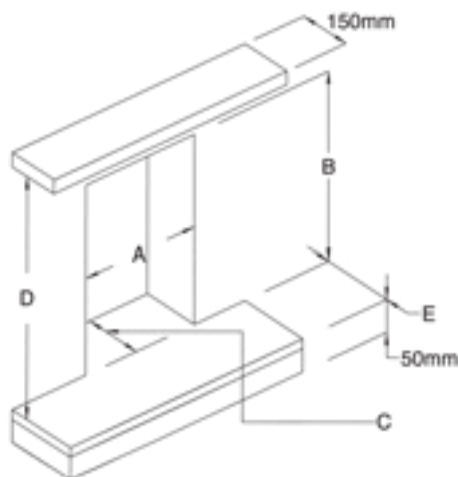


## Chimney type, gas type, heat inputs, outputs, efficiency and measurements

MODEL	CHIMNEY TYPE	GAS TYPE	INPUTS, OUTPUTS & EFFICIENCY						CONTROL OPTIONS			VISIBLE DIMENSIONS W X H (MM)	FIREPLACE OPENINGS:				
			GROSS INPUT HIGH (kW)	OUTPUT HIGH (kW)	NET EFFICIENCY (%)	INPUT LOW (kW)	EFFICIENCY CLASS	ENERGY CLASS	MANUAL	SLIDE CONTROL	REMOTE		HEIGHT MIN (mm)	HEIGHT MAX (mm)	WIDTH MIN (mm)	WIDTH MAX (mm)	DEPTH MIN (mm)
FOCUS HE	Class 1 & 2	NG	5.5	4.40	82%	2.4	1	D	•	•	•	400 x 340	560	580	400	456	320
	Class 1 & 2	LPG	5.1	4.00	82%	2.4	1	D	•	•	•	400 x 340	560	580	400	456	320
CORE HE	Class 1 & 2	NG	5.2	4.00	85%	3.0	1	D		•	•	400 x 350	560	580	425	456	320
	Class 1 & 2	LPG	5.0	3.50	77%	3.3	2	D		•		400 x 350	560	580	425	456	320
FOCUS PLUS RS BF*	Balanced Flue	NG	5.4	4.30	85%	2.4	1	C	•	•	•	370 x 300	553	585	405	440	185
	Balanced Flue	LPG	4.9	3.90	85%	2.4	1	C	•	•	•	370 x 300	553	585	405	440	185
CORE BF*	Balanced Flue	NG	4.9	3.90	89%	3.5	1	C		•	•	370 x 300	553	585	405	440	185
	Balanced Flue	LPG	4.5	4.00	95%	3.4	1	B		•		370 x 300	553	585	405	440	185

Our conventional flued fires are all tested to **BS 7977-1 2009 + A1 2013**. This is the current standard at time of print.

\* These fires are tested to **BS EN 613-2001** which is the current standard for balanced flue fires at time of print.



All Paragon gas fires are manufactured under a **BS EN ISO 9001** quality system (registration number 5195), which covers all areas of product design, development, manufacture and service.

**Please note:** Our policy is one of constant development and improvement. Paragon Fires therefore reserves the right to revise the specification and design of its fires without formal notice. This leaflet is presented as a guide to aid in your decision and does not replace the need for technical assessment by your dealer. Whilst the utmost care is taken in preparation of this leaflet, it is not intended to replace the installation manual which provides more detailed information. Photography is for illustration purposes only and does not replace the need to see the fire in a showroom. We accept no liability for any loss or damage arising either directly or indirectly from the use of this leaflet.

## Charlton & Jenrick Company and Product Accreditations

Charlton & Jenrick have made a very substantial investment over the years in obtaining a wide range of accreditations and trade body memberships to ensure that we are consistently offering the best possible products and services to our customers. We not only manufacture appliances but we also put in huge behind-the-scenes efforts to ensure that we input to and keep abreast of impending legislation, standards, product performance and environmental requirements. Currently we subscribe and contribute to the following accreditations:



**The UKCA (UK Conformity Assessed) mark** is the new UK product mark that replaces the CE mark for products being placed on the market in Great Britain (England, Wales and Scotland). It covers most products that previously required the CE mark. All our fires comply to this new mark.



**SIA Ecodesign Ready** marking is an independent scheme run by the Stove Industry Alliance to verify and independently demonstrate that wood burning stoves already meet the strict requirements of the 2022 EU Ecodesign Directive for performance and emissions.



**HHIC, the Heating and Hot Water Information Council** is a trade body representing the UK gas fire industry. As part of the Energy and Utilities Alliance, within the HHIC we have an input into EU and UK standards committees, communicate with Government departments and keep abreast of serious issues affecting the gas fire industry.



**SIA, the Stove Industry Alliance** is the UK trade body for the solid fuel stove industry. C&J are members of the Executive Committee and currently chair the Technical Committee enabling input into UK and EU standards committees and lines of communication into Government departments and keeping up to date on a wide range of issues affecting the industry.



 @cJfires

 [www.facebook.com/cJfires](http://www.facebook.com/cJfires)

[www.charltonandjenrick.co.uk](http://www.charltonandjenrick.co.uk)





**DEFRA exemption** is the mechanism where our wood burning stoves are checked and certified to comply with the Clean Air Act and therefore allowed to be used in smoke control zones throughout the UK. Involving a strict test programme and independent report, this is then thoroughly assessed by DEFRA advisors before being accepted.



**Gas Safe Register** is the mandatory national competent persons scheme to allow work on gas fittings and appliances in customers' homes. Our service and most of the sales team have completed the regular training courses and sit the regular exams to ensure our customers have the best support and service.



**ISO 9001** is the internationally recognised standard for Quality Management Systems which in our case includes the activity of product design and development as well as production, sale and support functions. Annual independent audits and certification ensure continued compliance in producing consistent quality products.



**ISO 14001** is the internationally recognised standard for Environmental Management Systems. Once again this independently audited and certified system makes sure that we are regularly monitoring and reviewing the impact of the business and its products to ensure we minimise negative impacts and promote best practice.



**ClearSkies** is a certification mark for Emissions and Energy Performance of domestic wood & solid fuel stoves and fireplaces. clearSkies ratings, namely the certification levels, will show appliances that meet defined emissions and efficiency thresholds that exceed the minimum requirements set by the ecodesign regulation.



**CE marking** of products is mandatory for electric fires and stoves in Europe. We always invest in independent testing and certification to ensure our products meet all necessary requirements for the regions we operate in.



Please note: Our policy is one of constant development and improvement. We therefore reserve the right to revise the specification and design of our stoves without formal notice. This leaflet is presented as a guide to aid in your decision and does not replace the need for technical assessment by your dealer. While the utmost care was taken in the preparation of this brochure, it is not intended to replace the installation manual which provides more detailed information. Photography is for illustration purposes only and does not replace the need to see the stove in a showroom. We accept no liability for any loss or damage arising either directly or indirectly from the use of this brochure. **All designs in this brochure are design or copyright registered. Charlton & Jenrick, without exception, will take action against any infringements of its designs.**





# Paragon

INSET GAS FIRE RANGE



A Great British Product

## Charlton & Jenrick<sup>LTD</sup>

Charlton & Jenrick Ltd, Unit D,  
Stafford Park 2, Telford, Shropshire TF3 3AR

Tel: 01952 200444

e-mail: [sales@charltonandjenrick.co.uk](mailto:sales@charltonandjenrick.co.uk)

[www.charltonandjenrick.co.uk](http://www.charltonandjenrick.co.uk)

CONNECT WITH US:

