

Paragon

GAS STOVES



Charlton & Jenrick^{LTD}

Best of British fires, fireplaces & stoves

EST. 1986

PARAGON GAS-BURNING STOVE RANGE
















THE LOOK AND FEEL OF A WOOD BURNING STOVE WITH THE CONVENIENCE OF GAS!

A gas stove is the ideal solution for those that love the design and feel of a multi-fuel stove but need the ease and rapid heat that gas fires and stoves offer. Charlton & Jenrick have a growing range of gas stoves that share much of the DNA of our multi-fuel ranges. All our gas stoves are manufactured using heavy-duty, seam-welded steel bodies, cast doors and adjustable feet.

Installation is made flexible, with a choice of flue and venting options, allowing the stoves to be fitted in Class 1, Class 2 and pre-cast flues or using a balanced flue where there is no usable chimney.

Paragon Edge gas stoves are available in either conventional (chimney) or balanced flue (no chimney) versions. These stylish gas stoves offer a clean, efficient and easy to manage stove for those that want the look and feel of a wood-burning stove but without the work!

AT A GLANCE SYMBOLS – TO HELP YOU CHOOSE

GLASS TYPE	CHIMNEY TYPE	FEATURES
 ANTI-REFLECTIVE HIGH-EFFICIENCY GLASS	 TYPE 1	 2.1 kW OUTPUT
 HIGH-EFFICIENCY GLASS	 TYPE 2	 86% NET EFFICIENCY
FUEL BED OPTIONS	 BALANCED FLUE (BF)	 REMOTE CONTROL
 LOG FUEL BED	 PRE-CAST FLUE	 MANUAL CONTROL
FUEL TYPE	LINER OPTIONS	 5 YEAR GUARANTEED QUALITY WARRANTY
 NATURAL GAS (NG)	 BLACK MIRROR GLASS LINER	
 LIQUIFIED PETROLEUM GAS (LPG)		



HIGH QUALITY BUILD WITH HIGH EFFICIENCY AND VERSATILITY

- Up to 95% efficiency on balanced flue models and 82.5% on conventional flue models.
- Large panoramic glass window for full flame view.
- High definition fresh cut finish log fuel bed.
- Seam welded steel bodies and cast-iron doors.
- Stoves can also be top-vented for a traditional inglenook setting.

CONTENTS

PAGE 4

PARAGON CF GAS STOVES



PAGE 6

PARAGON ALCASTON CF GAS STOVE



PAGE 8

PARAGON EDGE CF GAS STOVE



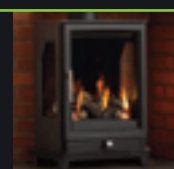
PAGE 10

PARAGON EDGE BF GAS STOVE



PAGE 12

PARAGON EDGE 3S CF GAS STOVE



PAGE 14

PARAGON EDGE 3S BF GAS STOVE



PAGE 16

DIMENSIONS AND SPECIFICATIONS



PARAGON CF GAS STOVES

Paragon gas-burning stoves fit most chimneys

These two gas-burning models are manufactured with heavy-duty, seam-welded steel bodies, cast doors (available in square or curved door options) and adjustable feet. Conventional Flue installation allows the stoves to be fitted in Class 1, Class 2 and pre-cast flues.

Highly realistic log fuel beds are viewed through a large panoramic window and performance is controlled by a single knob, allowing the stove to deliver a net thermal efficiency of up to 79%. It all adds up to make Paragon CF stoves a must for today's busy households.

Key Features

- Net thermal efficiency: 79% tested to BS EN 613:2001
- Natural gas or LPG
- Life-like ceramic log fuel bed
- Large panoramic glass window for full flame view
- Conventional Flue can be fitted into Class 1, Class 2 and pre-cast flues
- 3.6kW heat output.



Paragon CF Gas Stove with square door shown in Beckford surround



Paragon CF Gas Stove with curved door shown in Inglenook



PARAGON ALCASTON CF GAS STOVE

Paragon Alcaston gas stoves with a traditional feel

This new gas-burning model is manufactured with a heavy-duty, seam-welded steel body, adjustable feet, and cast door with a new tracery door configuration.

The tracery door creates a traditional feel, whilst maintaining a large window showcasing the flames within. This blend of modern and traditional enables this stove to be the focal point of any room.

Key Features

- Net thermal efficiency: 79% tested to BS EN 613:2001
- Natural gas or LPG
- Life-like ceramic log fuel bed
- Tracery door creates traditional yet contemporary design
- Conventional Flue can be fitted into Class 1, Class 2 and pre-cast flues
- 3.6kW heat output.





Paragon Alcaston CF Gas Stove with Tracery door shown in Beckford surround



PARAGON EDGE CF GAS STOVE

The Paragon Edge CF fits most chimneys

This stylish gas stove offers a clean, efficient and easily manageable stove for those who want the look and feel of a wood-burning stove but with the convenience of gas.

The Paragon Edge CF fits most chimneys and offers a large panoramic glass window for full flame view and bluetooth technology for easy operation. A stand, log store, or wall mounting plate can be fitted as optional accessories to give the stove more presence.

Key Features

- Net thermal efficiency: 82.5% tested to BS EN 613:2001
- Anti-reflective glass as standard. This reduces the majority of reflections and gives the stove an 'open' feel
- Black mirror glass firebox panels to enhance the flame picture
- Low voltage 9V 2000mA plug-in transformer for easy electrical installation
- High-definition fresh cut finish log fuel bed
- Bluetooth remote control system – on/off, pilot standby and variable rate between high and low rate
- Large panoramic glass window for full flame view
- Compatible with stand, wall mounting plate, and log store accessories
- 4kW heat output.



Paragon Edge CF Gas Stove shown in Inglenook on stand





Scan the QR code to see
the Paragon Edge CF in
action on YouTube now ▶



Paragon Edge CF Gas Stove
shown in Berrington Limestone surround



PARAGON EDGE BF GAS STOVE

BF Balanced Flue – no chimney required

The Paragon Edge BF (balanced flue) is designed to fit where a usable chimney is not available.

This stylish balanced flue gas stove offers a large panoramic glass window, showcasing the high-definition fresh cut finish log fuel bed and the comforting flames within.

Key Features

- Net thermal efficiency: 95% tested to BS EN 613:2001
- Anti-reflective glass as standard. This reduces the majority of reflections and gives the stove an 'open' feel
- Black mirror glass firebox panels to enhance the flame picture
- Low voltage 9V 2000mA plug-in transformer for easy electrical installation
- High-definition fresh cut finish log fuel bed
- Bluetooth remote control system – on/off, pilot standby and variable rate between high and low rate
- Large panoramic glass window for full flame view
- Compatible with stand, wall mounting plate, and log store accessories
- Heat output up to 5kW.





Scan the QR code to see
the Paragon Edge BF in
action on YouTube now ▶



Paragon Edge BF Gas Stove shown in Stokesay Portuguese Limestone surround with Grey Slate Chamber



PARAGON EDGE 3S CF GAS STOVE

The Paragon Edge 3S CF fits most chimneys

Featuring a modern, continental design the next generation of Paragon Edge Gas Stove pushes the boundaries of modern stove design, with three sides of glass enhancing the viewing angles.

The new Paragon Edge 3S CF has three sides of glass, giving you a panoramic view of the stove from all angles. This stove features anti-reflective glass as standard, which reduces the majority of reflections and gives the stove a more open feel.

Key Features

- Net thermal efficiency: 82.5% tested to BS EN 613:2001
- Anti-reflective glass as standard. This reduces the majority of reflections and gives the stove an 'open' feel
- Black mirror glass firebox panels to enhance the flame picture
- Low voltage 9V 2000mA plug-in transformer for easy electrical installation
- High-definition fresh cut finish log fuel bed
- Bluetooth remote control system – on/off, pilot standby and variable rate between high and low rate
- Three sides of glass give you a panoramic view of the flames from all angles
- Compatible with stand, wall mounting plate, and log store accessories
- 4kW heat output.



Paragon Edge 3S CF Gas Stove shown in Inglenook on stand





Paragon Edge 3S CF Gas Stove shown on Log Store



PARAGON EDGE 3S BF GAS STOVE

BF Balanced Flue – no chimney, no problem

With the same distinctive styling as the Paragon Edge 3S Conventional Flue, this stove is the perfect focal point even if you don't have a chimney. Hand painted logs create a focal point that draw you in, and 5kW of heat will keep you warm whatever the weather.

The Paragon Edge 3S BF has three sides of glass, giving you a panoramic view of the stove from all angles. Black mirror glass firebox panels reflect the flames within enhancing the flame picture, creating a luxurious feel.

Key Features

- Net thermal efficiency: 95% tested to BS EN 613:2001
- Anti-reflective glass as standard. This reduces the majority of reflections and gives the stove an 'open' feel
- Black mirror glass firebox panels to enhance the flame picture
- Low voltage 9V 2000mA plug-in transformer for easy electrical installation
- High-definition fresh cut finish log fuel bed
- Bluetooth remote control system – on/off, pilot standby and variable rate between high and low rate
- Three sides of glass give you a panoramic view of the flames from all angles
- Compatible with stand, wall mounting plate, and log store accessories
- 5kW heat output.



Paragon Edge 3S BF Gas Stove shown on log store



Scan the QR code to see
the Paragon Edge 3S BF in
action on YouTube now ▶



Paragon Edge 3S BF Gas Stove shown on wall mounting

Paragon DIMENSIONS AND SPECIFICATIONS

GAS STOVES

PARAGON CF STOVES & ALCASTON CF STOVE, CHIMNEY TYPE, GAS TYPE, HEAT INPUTS, OUTPUTS, EFFICIENCY AND MEASUREMENTS

Model	Chimney Type	Gas Type	Inputs, Outputs & Efficiency						Control options				Visible Dimensions w x h (mm)	Fireplace Openings:				
			Gross Input High (kW)	Output High (kW)	Net Efficiency (%)	Input Low (kW)	Efficiency Class	Energy Class	Manual	Square Door	Curved Door	Tracery Door		Height Min (mm)	Height Max (mm)	Width Min (mm)	Width Max (mm)	Depth Min (mm)
Paragon CF Stove	Class 1 & 2	NG	5.5	3.9	79.0	2.4	2	E	•	•	•		350 x 280	640	N/A	506	N/A	380
	Class 1 & 2	LPG	5.0	3.6	78.7	2.4	2	E	•	•	•		350 x 280	640	N/A	506	N/A	380
Alcaston CF Stove	Class 1 & 2	NG	5.5	3.9	79.0	2.4	2	E	•			•	350 x 280	640	N/A	506	N/A	380
	Class 1 & 2	LPG	5.0	3.6	78.7	2.4	2	E	•			•	350 x 280	640	N/A	506	N/A	380

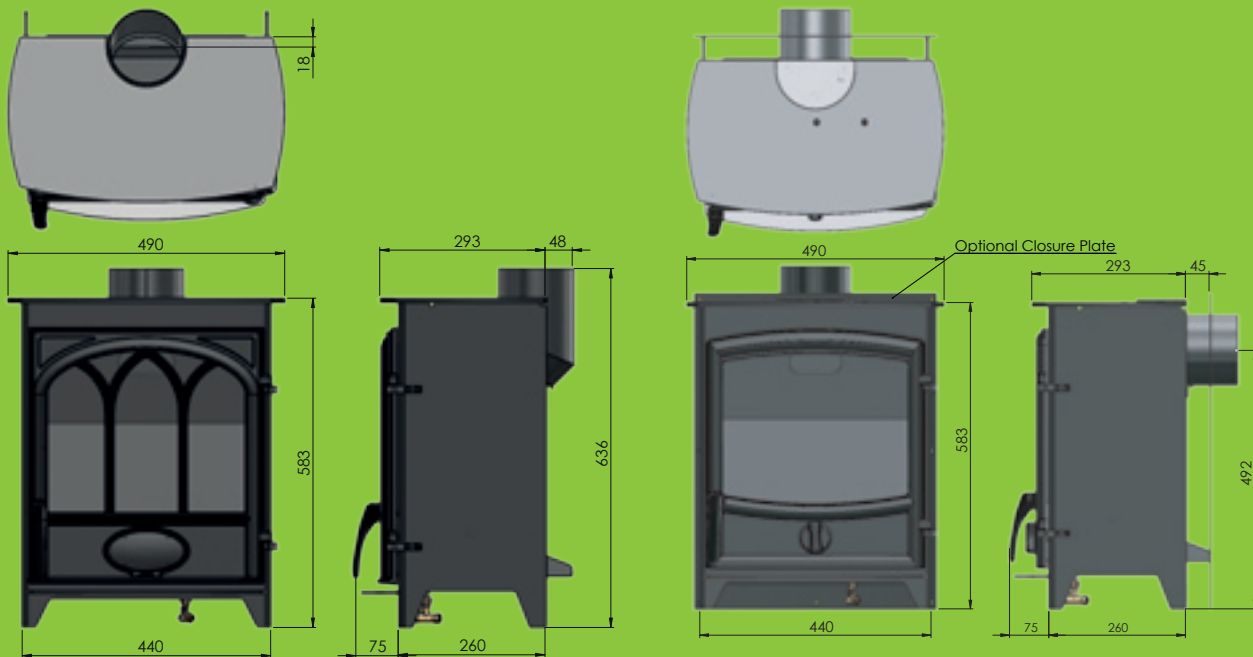
PARAGON EDGE & EDGE 3S, CHIMNEY TYPE, GAS TYPE, HEAT INPUTS, OUTPUTS, EFFICIENCY AND MEASUREMENTS

Model	Chimney Type	Gas Type	Inputs, Outputs & Efficiency						Remote Control	Square Door	No. of Windows	Visible Dimensions w x h (mm)	Visible Dimensions Side Viewing Windows w x h (mm)	Fireplace Openings:				
			Gross Input High (kW)	Output High (kW)	Net Efficiency (%)	Input Low (kW)	Efficiency Class	Energy Class						Height Min (mm)	Height Max (mm)	Width Min (mm)	Width Max (mm)	Depth Min (mm)
Edge CF Stove	Class 1 & 2	NG	5.2	4.0	82.5	3.0	1	D	•	•	1	300 x 370	N/A	645	N/A	506	N/A	373
	Class 1 & 2	LPG	5.0	3.6	78.0	3.3	2	D	•	•	1	300 x 370	N/A	645	N/A	506	N/A	373
Edge BF Stove	Balanced Flue	NG	5.9	5.0	95.0	3.8	1	B	•	•	1	300 x 370	N/A	645	N/A	506	N/A	373
	Balanced Flue	LPG	5.1	4.2	89.0*	3.8	1	C	•	•	1	300 x 370	N/A	645	N/A	506	N/A	373
Edge 3S CF Stove	Class 1 & 2	NG	5.2	4.0	82.5	3.0	1	D	•	•	3	300 x 370	150 x 315	645	N/A	506	N/A	373
Edge 3S BF Stove	Balanced Flue	NG	5.9	5.0	95.0	3.8	1	B	•	•	3	300 x 370	150 x 315	645	N/A	506	N/A	373

* Efficiency on the Edge BF LPG was again taken using the up and out system

Paragon & Alcaston CF Gas Stoves
– Conventional Flue – Top connection

Paragon & Alcaston CF Gas Stoves
– Conventional Flue – Rear connection

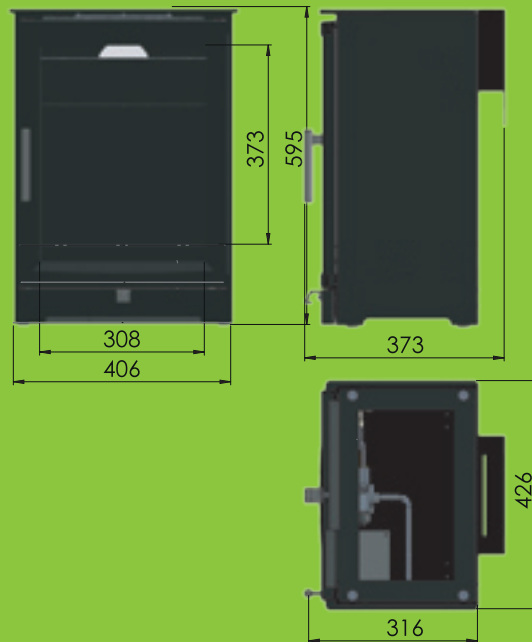


The Paragon CF Gas Burning Stoves and Alcaston CF Gas Burning Stove all have the same dimensions, and can all be connected at the top and the rear.

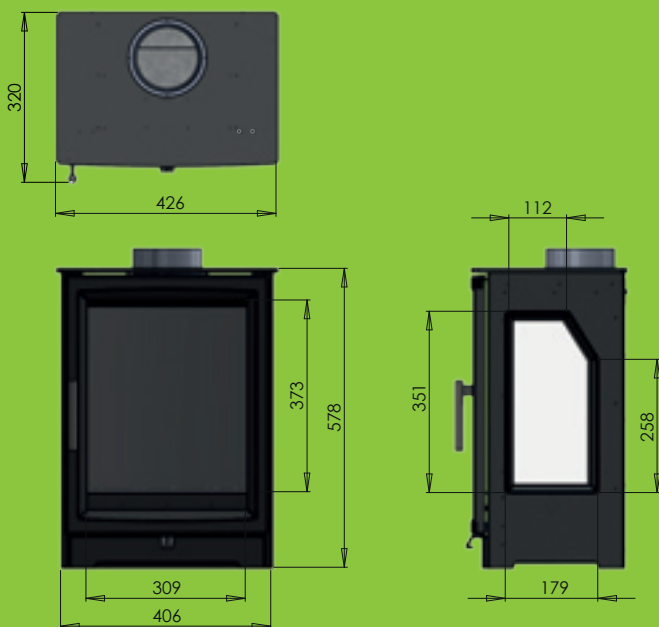
Paragon Edge CF Gas Stove
– Conventional Flue – Top connection



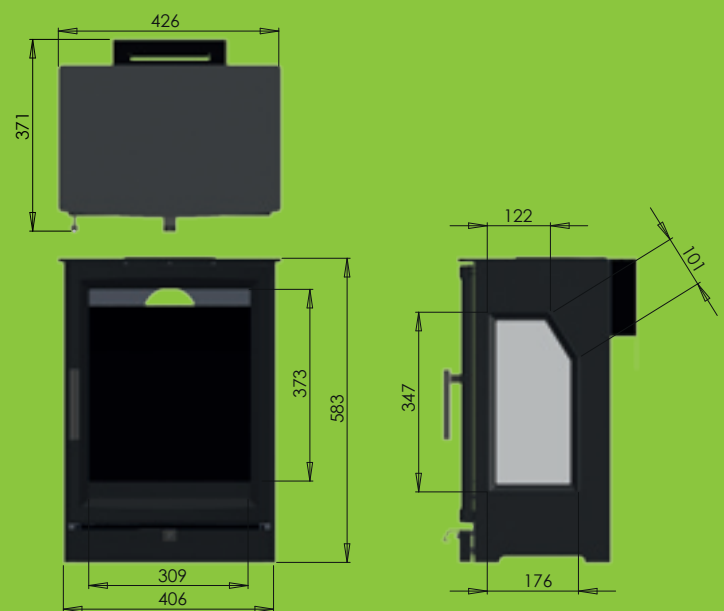
Paragon Edge BF Gas Stove
– Balanced Flue – Rear connection



Paragon Edge 3 sided CF Gas Stove
– Conventional Flue – Top connection



Paragon Edge 3 sided BF Gas Stove
– Balanced Flue – Rear connection

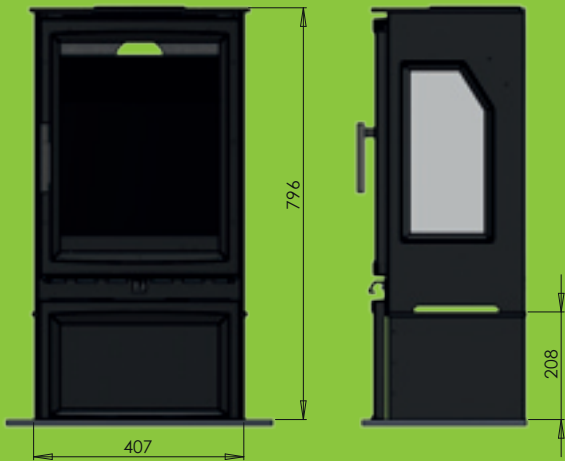


Paragon DIMENSIONS AND SPECIFICATIONS

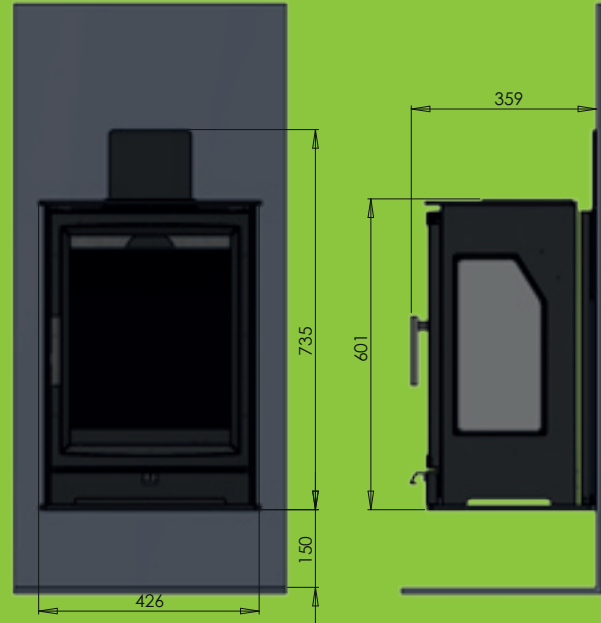
GAS STOVES

Paragon Edge & Edge 3S Accessories

Paragon Edge 3 sided
CF Gas Stove with Log Store



Paragon Edge 3 sided
CF Gas Stove with Wall Stand

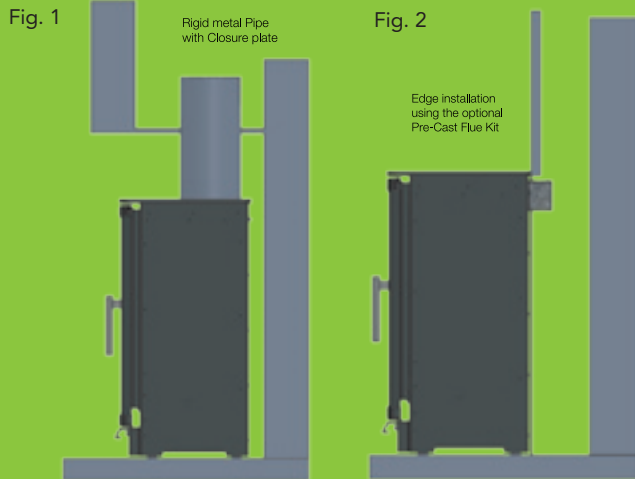


Paragon Edge 3 sided
CF Gas Stove with Stand



CONVENTIONAL FLUE

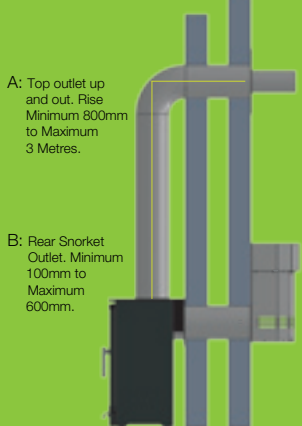
The Paragon Edge CF and Edge 3S CF can be installed as a top outlet stove (Fig.1). The optional Pre-cast flue kit for the Paragon Edge CF and Edge 3S CF Stoves will allow installation into properties without a conventional brick or clay liner flue system. This allows installation on to a flat wall via a pre-cast flue system within the cavity structure of the property (Fig.2).



BALANCED FLUE – REAR VENT

For rooms without a flue the Paragon Edge BF and Edge 3S BF Stoves may well be an alternative. The Paragon Edge BF and Edge 3S BF Stoves can be fitted using two different balanced flue systems. A snorkel system allows direct ducting of the exhaust products via a rear exit connect on an external facing wall. The Snorkel kit comes with a standard 600mm flue length which is cut to suit the cavity wall depth.

Flue system options available where a room has no Chimney.



BALANCED FLUE – TOP VENT UP & OUT

The other alternative is the up and out balanced flue kit from Paragon. This allows up to a 3 metre vertical run off the top of the appliance and will also allow a 5 metre horizontal flue in total. The up and out kit provided as standard allows for a vertical run of 800mm plus a 90 degree elbow with terminal which is cut to suit the cavity wall depth. Further components are available to order.





Charlton & Jenrick^{LTD}

Charlton & Jenrick Ltd, Unit D,
 Stafford Park 2, Telford, Shropshire TF3 3AR
 Tel: 01952 200444
 e-mail: sales@charltonandjenrick.co.uk
 www.charltonandjenrick.co.uk



CONNECT WITH US:

