

COMPLETE

Charlton & Jenrick

GAS COLLECTION

CHARLTON & JENRICK
SINCE 1986



Introducing

The Complete Gas Range

From Charlton & Jenrick


For over 37 years, Charlton & Jenrick have been at the forefront of improving the technology and efficiency of 'living flame' gas fires.

For homes with or without a chimney, for a traditional or modern feel, we have a range of super-efficient gas fires and stoves that will create the perfect centrepiece for your home.

Spoilt for choice

You can tailor your fire to your exact taste and needs, choosing from our range of inset gas fires, gas stoves, and large format gas fires.

Key

-  Open-flame
-  Class 1 Chimney
-  Class 2 Chimney
-  4.4 kW Output
-  Balanced flue
-  Pre-cast flue
-  Natural Gas (NG)
-  63% EFFICIENT Net Efficiency
-  Liquefied Petroleum Gas (LPG)
-  Log Fuel Bed
-  Coal Fuel Bed
-  5 Year Warranty Guaranteed Quality
-  High Efficiency Glass
-  Black Mirror Glass Liner
-  Ribbed Black Liner
-  Slide Control
-  Vermiculite Liner
-  Remote Control
-  Convenient Control

Contents

Efficiency Standards			
Open-Flame Gas Fires		4	
Paragon 2000 Plus		8	
Paragon 2000 Low Lintel		10	
Paragon Slimline 3		12	
Paragon One Evolution		15	
Paragon One Evolution with Mixed Log Fuel Bed		17	
Glass-Fronted Gas Fires			
Paragon Focus HE		18	
Paragon Focus RS Plus BF		20	
Paragon Core HE		22	
Paragon Core BF		25	
Gas Stoves			
Paragon Edge CF Gas Stove		26	
Paragon Edge BF Gas Stove		28	
Paragon Edge 3S CF Gas Stove		30	
Paragon Edge 3S BF Gas Stove		32	
Panache 56SD CF Gas Stove		34	
Large Format Gas Fires			
Paragon P11 CF		36	
Paragon P5 CF		39	
Paragon P5 BF		40	
Infinity 890HD CF		42	
Infinity 890HD BF		44	
Panache 8040		46	
Panache 620 Hybrid		48	
Fret and Fascia Options			
Fret Options			50
Trim Options			51
Fascia Options			52
Gas Fire and Stove Dimensions			
Paragon Open-Flame Fires			54
Paragon Glass-Fronted Fires			56
Paragon Gas Stoves			58
Paragon Gas Stoves Flue Options			62
Large Format Gas Fires			
Paragon			64
Infinity			72
Panache			74
Specifications and Options			
Gas Fire and Stove			78
Company and Product Accreditations			82



Hydrogen Blend Ready

As part of the continued Charlton & Jenrick Ltd investment in the latest gas fire technologies, we have undertaken in-house testing to allow a selection of our gas range to be 'Hydrogen blend ready'.

This can be achieved without any future upgrades to the appliance, allowing your new purchase to work on the new 'Green Gas' of the future. This technology is the subject of a test by HyDeploy, who have been running gas applications with a 20% hydrogen blend in several projects.

Efficiency Standards

All Fires And Stoves Approved To Latest Efficiency Standards For UK Gas Fires.

As part of the continual improvement programme at Charlton & Jenrick, we take pride in innovating and developing our fires, always striving for improvements. Part of this process requires that we test all our gas fires to the current efficiency standards, ensuring our customers always receive up-to-date products.

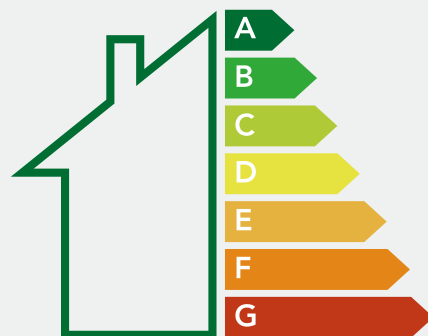
All the conventional flue fires (both open-front and glass-front) in this brochure have been independently certified to the efficiency requirements of BS 7977-1:2009+A1:2013 which came into force in late 2013 and included an amendment that requires all gas fires to be tested without excessive spillage on the efficiency test rig to claim an efficiency. Balanced-flue fires and direct connection

open-flue fires are tested to the latest revision of BS EN 613:2021.

The efficiencies quoted in this brochure are the Net efficiencies which are usually advertised in marketing literature. A brief explanation is on the following page and if you wish to see a copy of the standards we use, further details can be found at www.bsigroup.com.

SAP Rating

If you are buying a new home, the SAP rating will be of importance and the efficiency of the fire can either have a positive or negative effect on the rating. If the efficiency is not certified as precisely to the latest standards (detailed right) then it will be included in the calculation at the minimum level for that class of fire, not the one claimed by the manufacturer.



Net Efficiency V Gross Efficiency

Net efficiency calculations assume that the energy contained in the water vapour which is formed as a product of combustion is recovered in some way, e.g. into the fabric of the building, and is not lost from the flue/chimney. Gross combustion efficiency calculations assume that the energy contained in the water vapour is not recovered and is lost to the outside air. Typically the difference between the value of net combustion efficiency and the value of gross combustion efficiency for a natural gas fire is around 5 to 8 percentage points with the net value being higher than the gross value. Most gas fire and stove manufacturers quote their efficiencies based on the net combustion efficiency, although the gross value is often stated in the installation instructions for Building Regulations purposes.

Energy Efficiency For SAP Ratings In Your Home

The latest version of The Building Regulations call upon the mentioned standard efficiency tests in relation to calculating the rating of your gas fire for SAP (Standard Assessment Procedure) purposes. If your fire has not been approved to the correct standards then an accurate calculation cannot be made and a nominal low standard figure from the SAP guide will be used instead.

For more details please visit:
www.gov.uk/standard-assessment-procedure.

When considering your purchase of a gas product it is important to ensure you are comparing like for like. If unsure, it is always worth confirming with the staff in the showroom you are using, or the manufacturer of the fire, that the appliance has been tested to the very latest version of BS 7977 i.e. including +A1: 2013.

Tested And Approved With Guaranteed Quality

Every Charlton & Jenrick gas product is designed to the highest standards using only the finest materials, as well as being tested and approved to UK and European Standards, meaning we can be confident about every fire we make. So confident, in fact, each fire comes with a **two-year parts and labour warranty**, with the option of extending the parts warranty for a further three years if you fill in your warranty registration and return to us within one month of purchasing your product.*

All Charlton & Jenrick gas fires are manufactured under a BS EN ISO 9001 quality system (registration number 5195), which covers all areas of product design, development, manufacture and service.



*subject to terms and conditions which you will find on our website, including having your appliance serviced every year by a qualified Gas Safe Registered Engineer



Installation Ideas



Fireplace

Perfect for all gas products. Choose between Micro Marble for a modern look, or Limestone for a traditional aesthetic.



Inglenook

Create a more minimalist look with your fireplace chamber, letting your stove speak for itself.



Hole-In-The-Wall

Ideally suited to certain models in our 16" and large format gas ranges, this installation is perfect for adding a modern touch to your home.



Freestanding

The ultimate finishing touch to a large, open plan space, suited to our gas stove ranges.

*certain models only, please consult product page for more details

Customise Your Fire Or Stove

Fascia



Stand



Log Store



Trim



Wall Mounting Plate



Dealer Network

Our network of over 400 independent fireplace retailers are here to tailor your installation to you.

From the initial site survey to choosing the finishing touches, they will ensure you are thrilled with the final result.

Find Yours Here



Paragon 2000 Plus



No more pre-cast flue compromises. The 2000 Plus is our most versatile fire. It is designed specifically for chimneys or pre-cast flues.

Nothing is as welcoming as a 'living flame' fire and with the 2000 Plus range you can find a model to fit every home, making a statement in any room. The superb, realistic coal fuel bed produces up to 3.56kW heat output at a 57% efficiency, giving you all the glowing warmth you need.

But the 2000 Plus range isn't just about practical efficiency; it's also about style and design. You can choose from a large range of trim and fascia options, allowing you to make a real style statement with a contemporary look, or go for a more traditional design.

Key Features

- Fits a class 1, class 2 chimney or a Pre-cast flue
- 3.56kW heat output
- A control system to suit you: slide or full sequential remote control, LPG is slide control only
- Realistic coal fuel bed
- 5-year extendable parts guarantee, subject to terms and conditions
- Natural Gas or LPG
- No additional ventilation required
- 57% efficient to BS 7977-1:2009 + A1:2013 (as amended)
- Low voltage 9V 2000mA plug-in transformer for easy electrical installation.

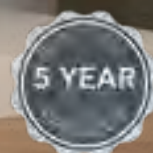


For specifications refer to the technical datasheet



 Only the Natural Gas versions of this product are hydrogen blend certified.

2000 Plus in Elite Satin/Black Fascia and Coal Fuel Bed shown with Aylesbury Limestone Surround



Paragon 2000 Low Lintel

All the features and benefits of the Paragon 2000 Plus with a reduced-height fire box to fit into 20" openings.



Like the 2000 Plus, the 2000 Low Lintel is designed to fit most chimneys and has the added benefit of fitting under lintels that are 20 inches off the hearth. The realistic coal fuel bed also features on this model creating a warm, cosy look.

Stylish looks are enhanced with three trim options, enabling you to make your fire unique to you. Slide control operation allows you to control every aspect of the fire with one lever, enhancing the usability of the fire.

Key Features

- Fits a class 1, class 2 chimney or a Pre-cast flue
- 3.56kW heat output
- Available with slide control
- Realistic coal fuel bed
- 5-year extendable parts guarantee, subject to terms and conditions
- Choice of brass, black, or chrome trims
- 56.6% efficient to BS 7977-1:2009 + A1:2013 (as amended).



For specifications refer to the technical datasheet



2000 Low Lintel with Chrome Trim and Chrome Bayswater Fret with Coal Fuel Bed shown in Beckford Limestone Surround



Paragon Slimline 3



Slim, elegant and the perfect fire for virtually any chimney or flue.

With its remarkably slim profile, the Slimline 3 is especially designed for pre-cast flues but will fit almost any flue, from conventional chimneys to pre-cast flues.

A wide choice of trims, frets, and fascias allow you to customise the fire to match traditional or modern environments.

Advanced burner technology offers a generous output of 4.1kW at a 65% efficiency, making it an impressive all-rounder.

Key Features

- Fits a class 1, class 2 chimney or a pre-cast flue
- 4.1kW heat output
- Available with slide control
- Realistic coal fuel bed
- An advanced burner provides what is probably the most realistic flame effect and fuel bed with high-efficiency heat output
- A unique front of fire bed glow adds to the welcoming realism of this exquisite model
- 5-year extendable parts guarantee, subject to terms and conditions
- Fits majority of pre-cast flues on a 1" rebate
- 65% efficient to BS 7977-1:2009 + A1:2013 (as amended).



For specifications refer to the technical datasheet

Flue and hearth: The Slimline 3 range is designed to operate in pre-cast, class 1 and class 2 flues. The minimum diameter of a circular flue is 125mm (5") with minimum effective height of 3 metres. Pre-cast flues must be constructed correctly and the appliance must pass a spillage test upon installation. A non-combustible hearth extending a minimum of 300mm (12") in front of the fire and 150mm (6") either side, with a non-combustible depth of 50mm (2") is required. All chimneys and flues should be regularly checked for debris and efficiency and be swept where appropriate.

Slimline 3 in Brass/Black Elite
Fascia with Coal Fuel Bed shown in
Aylesbury Limestone Surround



One Evolution in Nickel/Black Prestige
Fascia with Coal Fuel Bed in Beckford
Limestone Surround



Scan the QR
Code to see the
One Evolution on
YouTube now.



Paragon One Evolution

Benefitting from the latest gas technology, this open-flame fire is designed to fit most chimneys and class 2 flues.



Create a lovely warm living area with this open-flame gas fire that gives an impressive 4.4kW output and 63% efficiency. Our realistic coal fuel bed creates a warm aesthetic, perfect for relaxing on a cold winters night.

This fire comes as standard with a two-year parts and labour warranty, with the option of extending the parts warranty for a further three years, a hallmark of the durability of the product.

Key Features

- Fits a class 1 and class 2 chimney
- 4.4kW heat output
- A control system to suit you: slide or full sequential remote control
- Realistic coal fuel bed
- 5-year extendable parts guarantee, subject to terms and conditions
- No ventilation required
- Compatible with a large range of C&J trims, frets and fascias
- 63% efficient to BS 7977-1:2009 + A1:2013 (as amended)
- Low voltage 9V 2000mA plug-in transformer for easy electrical installation.



For specifications refer to the technical datasheet



One Evolution Elite Fascia Satin/Black with Coal Fuel Bed shown in Aylesbury Limestone Surround

One Evolution in Nickel/Chrome
Prestige Fascia with Mixed Log Fuel
Bed in The Statten Micro Marble
Surround from Worcestershire Marble



Scan the QR
Code to see the
One Evolution on
YouTube now.

Paragon One Evolution with Mixed Log Fuel Bed

A fresh update on one of our best-selling inset gas fires, the mixed log fuel bed creates a more modern aesthetic for the traditional gas fire.



These logs are custom designed for this fire to mimic a campfire, with the flames culminating in the middle of the logs.

The familiar benefits of the One Evolution remain, with an impressive 4.4kW output and 63% efficiency. You can choose from a large range of trim and fascia options, allowing find a style that suits your home.

Key Features

- Fits a class 1 and class 2 chimney
- 4.4kW heat output
- A control system to suit you: slide or full sequential remote control
- Realistic mixed log fuel bed
- 5-year extendable parts guarantee, subject to terms and conditions
- No ventilation required
- Low voltage 9V 2000mA plug-in transformer for easy electrical installation
- Compatible with a large range of C&J trims, frets and fascias
- 63% efficient to BS 7977-1:2009 + A1:2013 (as amended).



For specifications refer to the technical datasheet



One Evolution in Satin/Black Elite Fascia with Mixed Log Fuel Bed

Paragon Focus HE



A stylish highly efficient glass-fronted gas fire that will enhance any living room.

A contemporary design offering efficient heating for homes with class 1 or class 2 flues. A wide range of fret, trim, and fascia options allow you to create a unique look for your fire perfectly matching your home.

The updated full-length ceramic glass window gives class-leading thermal efficiency of 82% and a heat output of 4.4kW. This fire is compatible with Natural Gas and LPG inputs, creating a versatile fire that is suitable for any home.

Key Features

- Fits a class 1 or class 2 chimney
- 4.4kW heat output
- A control system to suit you: slide or full sequential remote control, LPG is slide control only
- Realistic coal fuel bed
- 5-year extendable parts guarantee, subject to terms and conditions
- Natural Gas or LPG
- Ceramic glass technology
- Pixelated edge glass for clean, neat styling
- Compatible with a large range of C&J trims, frets and fascias
- Only requires a 4" minimum hearth depth from wall
- 82% efficient to BS 7977-1:2009 + A1:2013 (as amended)
- Low voltage 9V 2000mA plug-in transformer for easy electrical installation.



For specifications refer to the technical datasheet

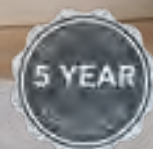


 Only the Natural Gas versions of this product are hydrogen blend certified.

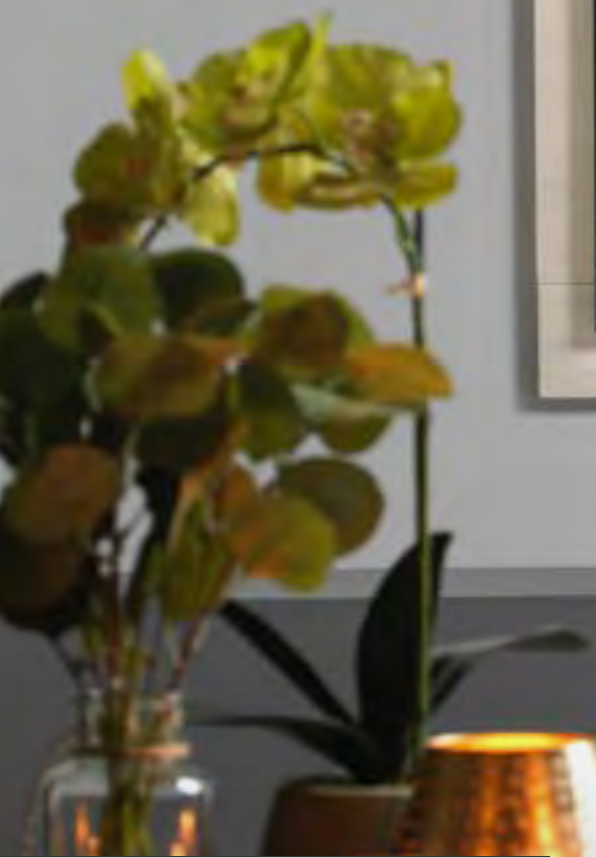
Focus HE in Nickel/Chrome Prestige
Fascia with Coal Fuel Bed in Aylesbury
Limestone Surround



Scan the QR
Code to see the
Focus HE on
YouTube now.



Focus RS Plus BF in Nickel/Black
Prestige Four-Sided Fascia with Coal
Fuel Bed shown hole-in-the-wall



Scan the QR Code
to see the Focus
RS Plus BF on
YouTube now.



Paragon Focus RS Plus BF



One of the most efficient balanced-flue fires on the market.

The award-winning Paragon RS was a trailblazer in putting the fire back into the fireplace rather than in front of it. The next generation Focus RS Plus BF has been designed to build on this excellent foundation.

This fire produces a truly impressive 85% efficiency from a 4.3kW heat output, meeting the Class One energy standard in the process. This fire benefits from a wide range of trim, fret, and fascia options allow you to customise your fire to your home.

Key Features

- For homes without a chimney
- 4.3kW heat output
- A control system to suit you: slide or full sequential remote control
- Realistic coal fuel bed
- 5-year extendable parts guarantee, subject to terms and conditions
- Pixelated edge glass for clean, neat styling
- Only requires a minimum of 4" hearth depth from the wall
- Can be mounted in a 1.18 metre thick wall. This makes it the fire of choice for houses where the chimney has either failed or been removed at roof level
- Compatible with a large range of C&J trims, frets and fascias
- 85% efficient to BS EN 613:2021
- Low voltage 9V 2000mA plug-in transformer for easy electrical installation.



For specifications refer to the technical datasheet



Focus RS Plus BF in Chrome/Black Elite Fascia with Coal Fuel Bed

Paragon Core HE



A truly glamorous real flame fire with heart-warming heat output, ease of use, stunning appearance and economical fuel burn.

Designed to provide the ultimate in warm and comfortable living spaces.

At the heart of the fire is the 'Core burner technology' which provides the ultimate in realistic flickering flames, glowing embers and black reflective glass internal liners. All of this results in a full, bright and glowing fire with a fantastic appearance that has you wondering whether it is actually a real log fire you are watching!

Paragon Core HE is not just about the outstanding look though; it offers superb performance with a useful efficiency of up to 85% with a substantial heat output of up to 4kW. The most recent addition to the range is the mixed log set, creating a contemporary look which looks good even if the fire is not alight.

Key Features

- Fits a class 1, class 2 chimney or a Pre-cast flue
- 4kW heat output
- Choose a control system to suit you: slide or full sequential remote control
- Mixed log or Classic log fuel bed
- 5-year extendable parts guarantee, subject to terms and conditions
- Black Mirror Glass or Ceramic firebox liners
- The Core HE is suitable to be fitted with all the current C&J range of trim, fret and fascia options
- 85% efficient to BS 7977-1:2009 + A1:2013 (as amended)
- Low voltage 9V 2000mA plug-in transformer for easy electrical installation.



 Only the Natural Gas versions of this product are hydrogen blend certified.



Scan the QR code to see the Paragon Core HE on YouTube now.

Core HE in Nickel/Chrome Prestige Four-Sided Fascia with Mixed Log Fuel Bed shown hole-in-the-wall



Core HE in Chrome/Chrome Elite Fascia with Mixed Log Fuel Bed



Core BF in Edge Inset Stove Fascia with Mixed Log Fuel Bed shown in the Kenilworth Micro Marble Surround from Worcestershire Marble



Scan the QR code to see the Core BF on YouTube now.



Paragon Core BF



Find yourself being drawn to the realistic mixed log fuel bed, and the 3.9kW heat output that will keep you warm whatever the weather.

The Core balanced flue is the first no-chimney product to use the 'Core' burner technology. The updated Core burner and terminal design from Paragon boasts the highest efficiency to date for a natural gas inset fire at 86%.

Along with this amazing performance, the Core balanced flue provides the ultimate in realistic flickering flames, glowing embers and black reflective glass internal liners.

Key Features

- For homes without a chimney
- 3kW heat output
- Choose a control system to suit you: slide or full sequential remote control
- Mixed log fuel bed
- 5-year extendable parts guarantee, subject to terms and conditions
- High-temperature black glass mirror fire box liners fitted as standard
- Compatible with a large range of C&J trims, frets and fascias
- Only requires a minimum 4" (100mm) hearth depth from the wall
- Can be mounted into walls up to 780mm thick (maximum flue length of 600mm). This allows the fire to be used in houses where the chimney has either failed or been removed at roof level
- 86% efficient to BS EN 613:2021
- Low voltage 9V 2000mA plug-in transformer for easy electrical installation.

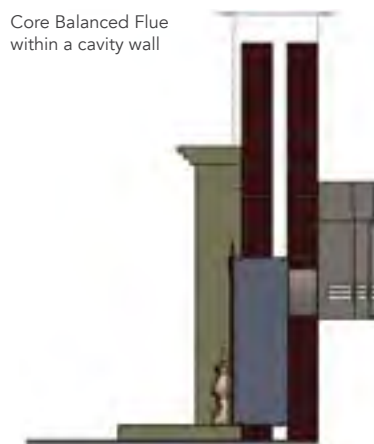


For specifications refer to the technical datasheet

280mm Minimum to 780mm Maximum



Core BF in Edge Inset Stove Fascia with Mixed Log Fuel Bed shown in Balmoral Limestone Surround



Core Balanced Flue within a cavity wall

Paragon Edge CF Gas Stove



The Paragon Edge CF fits most chimneys

This stylish gas stove offers a clean, efficient and easily manageable stove for those who want the look and feel of a wood-burning stove but with the convenience of gas.

The Paragon Edge CF fits most chimneys and offers a large panoramic glass window for full flame view and bluetooth technology for easy operation. A stand, log store, or wall mounting plate can be fitted as optional accessories to give the stove more presence.

Key Features

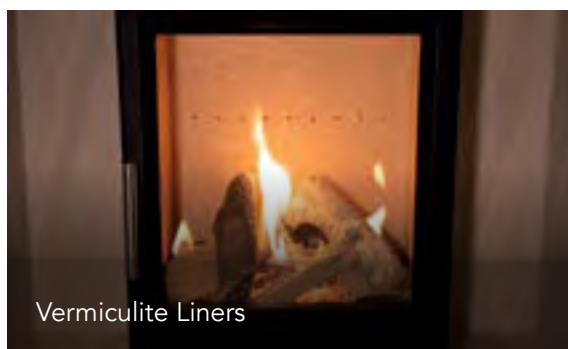
- Net thermal efficiency: 82.5% tested to BS EN 613:2021
- 4kW heat output
- Black mirror glass or vermiculite firebox liners
- Low voltage 9V 2000mA plug-in transformer for easy electrical installation
- Mixed log fuel bed for natural gas models, or woodland log fuel bed for LPG models.
- Bluetooth remote control system – on/off, pilot standby and variable rate between high and low rate
- Large panoramic glass window for full flame view
- Compatible with stand, wall mounting plate, and log store accessories.



For specifications refer to the technical datasheet



Black Glass Liners



Vermiculite Liners



Only the Natural Gas versions of this product are hydrogen blend certified.

Woodland Log Fuel Bed for
LPG models only.



Paragon Edge CF Gas Stove



Paragon Edge BF Gas Stove shown
in Inglenook on Log Store

Woodland Log Fuel Bed for
LPG models only.



Scan the QR
code to see the
Paragon Edge BF
on YouTube now.



Paragon Edge BF Gas Stove



BF Balanced Flue – no chimney required

The Paragon Edge BF (balanced flue) is designed to fit where a usable chimney is not available. Perfect for both Limestone and Inglenook installations, this contemporary stove suits all interior styles.

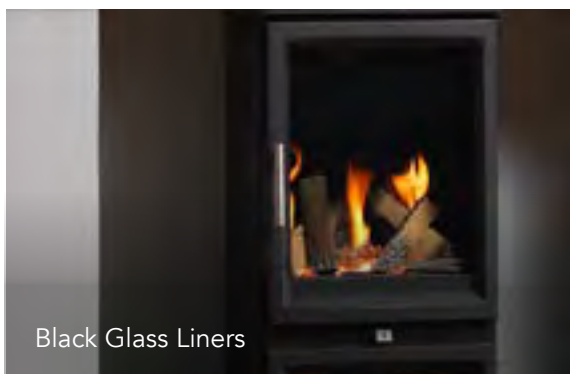
This stylish balanced flue gas stove offers a large panoramic glass window, showcasing the mixed log effect fuel bed and the nest of embers within.

Key Features

- Net thermal efficiency: 95% tested to BS EN 613:2021
- 5kW heat output
- Black mirror glass or vermiculite firebox liners
- Low voltage 9V 2000mA plug-in transformer for easy electrical installation
- Mixed log fuel bed for natural gas models, or woodland log fuel bed for LPG models
- Bluetooth remote control system – on/off, pilot standby and variable rate between high and low rate
- Large panoramic glass window for full flame view
- Compatible with stand, wall mounting plate, and log store accessories.



For specifications refer to the technical datasheet



Black Glass Liners



Vermiculite Liners



Only the Natural Gas versions of this product are hydrogen blend certified.

Paragon Edge 3S CF Gas Stove



The Paragon Edge 3S Conventional Flue fits most chimneys

Featuring a modern, continental design the next generation of Paragon Edge Gas Stove pushes the boundaries of modern stove design, with three sides of glass enhancing the viewing angles.

A range of options allows you to personalise your stove, enhancing the ownership experience. New mixed logs create a fresh, modern look giving the stove a modern feel.

Key Features

- Net thermal efficiency: 82.5% tested to BS EN 613:2021
- 4kW heat output
- Black mirror glass firebox panels to enhance the flame picture
- Low voltage 9V 2000mA plug-in transformer for easy electrical installation
- Mixed log effect fuel bed
- Bluetooth remote control system – on/off, pilot standby and variable rate between high and low rate
- Three sides of glass give you a panoramic view of the flames from all angles
- Compatible with stand, wall mounting plate, and log store accessories.

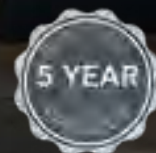


For specifications refer to the technical datasheet





Paragon Edge 3S CF Gas Stove shown in Inglenook on Stand



Paragon Edge 3S BF Gas Stove



BF Balanced Flue – ideal for homes without a chimney

With the same distinctive styling as the Paragon Edge 3S Conventional Flue, this stove is the perfect focal point even if you don't have a chimney. Hand painted logs create a nest of embers that draws you in, and 5kW of heat will keep you warm whatever the weather.

The Paragon Edge 3S BF has three sides of glass, giving you a panoramic view of the stove from all angles. Black mirror glass firebox panels reflect the flames within enhancing the flame picture, creating a luxurious feel.

Key Features

- Net thermal efficiency: 95% tested to BS EN 613:2021
- 5kW heat output
- Black mirror glass firebox panels to enhance the flame picture
- Low voltage 9V 2000mA plug-in transformer for easy electrical installation
- Mixed log effect fuel bed
- Bluetooth remote control system – on/off, pilot standby and variable rate between high and low rate
- Three sides of glass give you a panoramic view of the flames from all angles
- Compatible with stand, wall mounting plate, and log store accessories.



For specifications refer to the technical datasheet



Paragon Edge 3S BF Gas Stove
shown on Wall Mounting Plate

Paragon Edge 3S BF Gas Stove shown on Log Store



Panache 56SD CF Gas Stove



The Panache 56SD CF Gas Stove continues innovation and is a striking stove which will become the focal point of any home.

At the heart of this stove is our innovative convenient control technology, which is unique to the industry and allows for full operation of the stove from the handle.

This stove looks as at home in a farmhouse inglenook as it does in a newly built town house. You will be warm whatever the weather brings, with a heat output of 4.2kW and efficiency of 85%.

Key Features

- Net thermal efficiency: 85% efficient tested to BS EN 613:2021
- 4.2kW output
- Black mirror glass firebox panels to enhance the flame picture
- Mixed log effect fuel bed
- Convenient control allows for intuitive and precise control so you can find the perfect heat setting for you.
- Fits a class 1, class 2 chimney or a Pre-cast flue
- Top and rear flue vented options



For specifications refer to the technical datasheet



Panache 56SD CF Gas Stove shown Freestanding

Panache 56SD CF Gas Stove shown in Inglenook



Paragon P11 CF



The Paragon P11 range has been enhanced for 2025 with a new slide control operation system.

The fire can be installed within a 3" (75mm) or 1" (25mm) rebated surround without the need for any optional kits or building work. The P11 is also designed so that it can be installed in the wall with either a plastered edge finish or with decorative slips.

A large glass window gives a fabulous view of the ultra-realistic mixed log fuel bed and flame picture created by our own burner technology.

The P11 is operated by Bluetooth technology from the remote control handset. This allows for full operation of the appliance from the comfort of your chair. Our updated slide control system allows you to easily operate the fire with an effortless slide lever.

Key Features

- Fits a class 1 or class 2 chimney
- 4.4kW heat output
- A control system to suit you: slide or full sequential remote control
- Plug-in transformer power as standard.
- Backup battery option in the case of mains power outage
- Bluetooth remote control system – on/off, pilot standby and variable rate between high and low rate
- Black Mirror Glass or Black Ribbed Ceramic firebox liners
- Mixed log effect fuel bed
- 80% efficient to BS 7977-1:2009 + A1:2013 (as amended).
- Option to fit with our new zero clearance kit, just into plaster, into limestone slips, or into a limestone fireplace depending on the look and feel of your home
- Low voltage 9V 2000mA plug-in transformer for easy electrical installation.



For specifications refer to the technical datasheet



Nickel/Black Prestige Trim with Black Glass Liners and Mixed Log Fuel Bed



Nickel/Chrome Prestige Trim with Black Glass Liners and Mixed Log Fuel Bed



Limestone Slips with Black Glass Liners and Mixed Log Fuel Bed



Plastered Edge with Black Glass Liners and Mixed Log Fuel Bed



Paragon P11 Remote Control with Black Ribbed Liners and Mixed Log Set shown in Aylesbury Limestone Surround



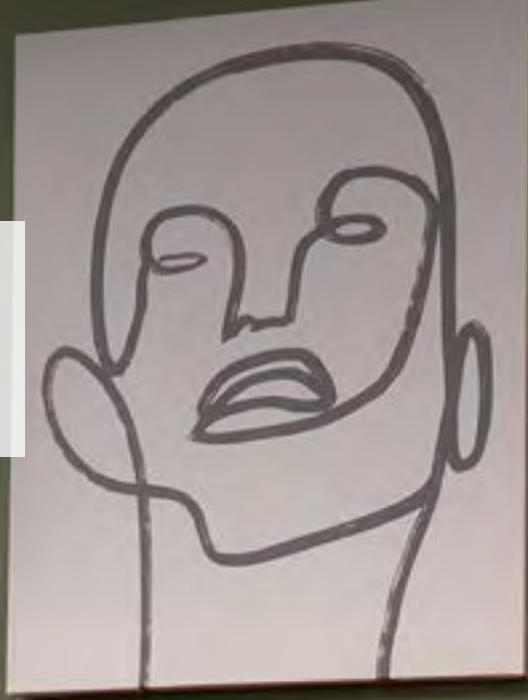
Scan the QR code to see the Paragon P11 CF on YouTube now.



Paragon P11 Slide Control with Black Glass Liners and Mixed Log Set in Nickel/Chrome Prestige Trim shown hole-in-the-wall



Paragon P5 CF with Black Mirror Glass Liners and Mixed Logs Fuel Bed shown in The Kenilworth Micro Marble Suite from Worcestershire Marble



Scan the QR code to see the Paragon P5 CF on YouTube now.



Paragon P5 CF



The largest fire in the Paragon P series range is the P5 CF. The P5 combines striking visual impact with excellent efficiency. Utilising the latest advanced burner technology, the performance also matches the impressive appearance.

The P5 CF is a mid-sized fire but with all the sense of occasion that comes with the largest, grandest of gas fires. It produces an impressive 5.7kW output with an efficiency of 85% for economical burning.

The size of the P5 allows for installation into a large majority of chimney breasts without the need for any extra building work. This size is also perfectly proportionate to fit with the popular 54" fireplace designs that are available from all fireplace retailers.

Key Features

- Fits a class 1 or class 2 chimney
- 5.7kW heat output
- No additional ventilation required
- Low voltage 9V 2000mA plug-in transformer for easy electrical installation
- Backup battery option in the case of mains power outage
- Bluetooth remote control system – on/off, pilot standby and variable rate between high and low rate
- Black Mirror Glass or Black Ribbed Ceramic firebox liners
- High definition fresh cut finish
- Mixed log effect fuel bed
- 85% efficient to BS 7977-1:2009 + A1:2013 (as amended)
- Option to fit with our new zero clearance kit, just into plaster, into limestone slips, or into a limestone fireplace depending on the look and feel of your home.



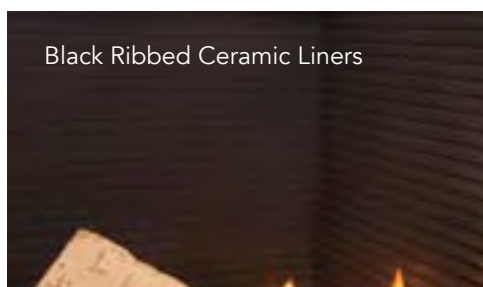
For specifications refer to the technical datasheet

Choice of two firebox liners

Black Mirror Glass Firebox Liners



Black Ribbed Ceramic Liners



Paragon P5 BF



The Paragon P5 BF offers a balanced flue alternative to the P5 conventional flue.

The rear-vent snorkel balanced flue system enables the installation to be clean and neat onto an outside wall. In many cases this removes the need for additional building work and false chimney breast.

The P5 BF is controlled by Bluetooth technology via a remote handset. This allows for full operation of the appliance from the comfort of your chair.

Key Features

- For homes without a chimney
- 5.4kW heat output
- Plug-in transformer power as standard
Backup battery option in the case of mains power outage
- Bluetooth remote control system – on/off, pilot standby and variable rate between high and low rate
- Black Mirror Glass or Black Ribbed Ceramic firebox liners
- Mixed log effect fuel bed
- 81.5% efficient to BS EN 613:2021
- Option to fit with our new zero clearance kit, just into plaster, into limestone slips, or into a limestone fireplace depending on the look and feel of your home.



For specifications refer to the technical datasheet



Paragon P5 BF balanced flue within a cavity wall

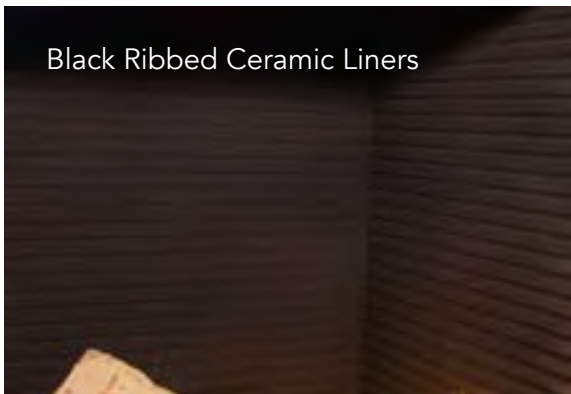


Paragon P5 BF shown in Aylesbury Limestone Surround with Black Mirror Glass firebox liners and Mixed Logs fuel bed

Choice of two firebox liners



Black Mirror Glass firebox Liners



Black Ribbed Ceramic Liners



Infinity 890HD CF with Black Mirror Glass Liners and Mixed Logs Fuel Bed shown in The Formby Limestone Suite from Worcestershire Marble



Scan the QR code to see the Infinity 890HD CF on YouTube now.



Infinity 890HD CF



A stunning landscape hole-in-the-wall fire. Ideally proportioned, the 890HD is the perfect size hole-in-the-wall fire that can be fitted with the optional trims offered, frameless in the wall or with slips.

Black mirror glass liners reflect the flames within, adding depth to the flame effect creating a cosy effect. The clean, graceful lines of the 890HD make this classic design look attractive even when it is not alight.

Key Features

- Fits a class 1 or class 2 chimney
- 4.64kW heat output
- Plug-in transformer power as standard
- Backup battery option in the case of mains power outage
- Remote control provides full operation of the fire
- Black Mirror Glass firebox liners
- Mixed log effect fuel bed
- Programmable thermostatic room temperature control and optional day timer setting as standard
- 78% efficient to BS 7977-1:2009 + A1:2013 (as amended)
- Option to fit into a trim, limestone slips, or limestone fireplace surround.



For specifications refer to the technical datasheet



Infinity 890HD CF with Black Mirror Glass Liners and Mixed Logs Fuel Bed shown in Nickel/Black Prestige Trim



Infinity 890HD CF with Black Mirror Glass Liners and Mixed Logs Fuel Bed shown in Nickel/Chrome Prestige Trim



Infinity 890HD CF with Black Mirror Glass Liners and Mixed Logs Fuel Bed shown Trimless

Infinity 890HD BF



A stunning landscape hole-in-the-wall fire, the 890HD BF is the perfect size hole-in-the-wall fire that can be fitted with our zero clearance kit, frameless in the wall with our slip frame kit or with limestone slips.

Remote control operation allows for full control of this fire from the comfort of your chair. Black glass liners and our mixed log set complement each other perfectly, and the extra-wide flame picture will enhance even the biggest of rooms.

Key Features

- Perfect for homes without a chimney
- 4.9kW heat output
- Extra-wide flame picture creating a clear view of the flames
- Plug-in transformer power as standard
- Backup battery option in the case of mains power outage
- Remote control provides full operation of the fire
- Black Mirror Glass firebox liners
- Mixed log effect fuel bed
- Programmable thermostatic room temperature control and optional day timer setting as standard
- 91% efficient to BS EN 613:2021 (as amended)
- Option to fit with our new zero clearance kit, just into plaster, into limestone slips, or into a limestone fireplace depending on the look and feel of your home.



For specifications refer to the technical datasheet



Infinity 890HD BF with Black Mirror Glass Liners & Mixed Logs Fuel Bed shown in Limestone Slips



Infinity 890HD BF with Black Mirror Glass Liners and Mixed Logs Fuel Bed shown Trimless

Infinity 890HD BF with Black Mirror Glass Liners and Mixed Logs Fuel Bed shown in Zero Clearance Kit (Including Elite Trim)



Scan the QR code to see the Infinity 890HD BF on YouTube now.



Infinity 890HD BF fitted with a Slip Frame Kit



Infinity 890HD BF fitted with a Zero Clearance Kit (Including Elite Trim)



Mixed Logs Fuel Bed



Panache 8040



A different take on the highly successful Charlton and Jenrick large format gas range, the Panache 8040 is a versatile, elegant fire that will complement any modern interior.

Installation can be executed in a trim, our limestone slips, or into our a fireplace surround. Ultra-realistic ceramic woodland logs add to the cosy real fire atmosphere created by this fire and black glass liners reflect the flames within, creating a comfortable and inviting living space.

Key Features

- Fits a class 1 or class 2 chimney and 5" flues so will fit into existing fireplace openings
- 4.5kW heat output
- Large highly-efficient glass front
- Plug-in transformer power
- Backup battery option in the case of mains power outage
- Remote control provides full operation of the fire
- Black Mirror Glass firebox liners
- Ultra-realistic woodland log effect fuel bed
- Programmable thermostatic room temperature control and optional day timer setting as standard
- 78% efficient to BS 7977-1:2009 + A1:2013 (as amended)
- Can be fitted into a trim, with our limestone slips, or incorporated into a fireplace suite for more traditional homes.



For specifications refer to the technical datasheet



Panache 8040 with Black Mirror Glass Liners and Woodland Log Effect Fuel Bed shown in Fireplace Surround



Panache 8040 with Black Mirror Glass Liners and Woodland Log Effect Fuel Bed shown Trimless



Panache 8040 with Black Mirror Glass Liners and Woodland Log Effect Fuel Bed shown in Limestone Slips

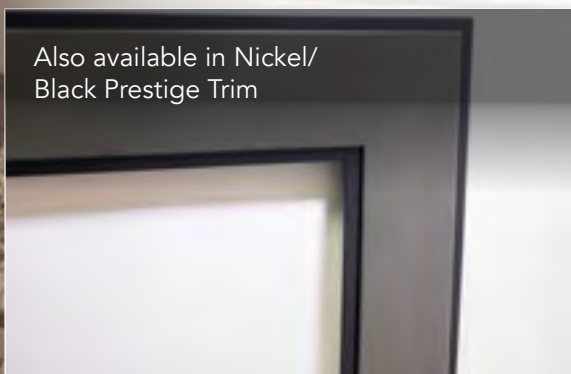
Panache 8040 with Black Mirror Glass Liners and Woodland Log Effect Fuel Bed shown in Nickel/Chrome Prestige Trim



Scan the QR code to see the Panache 8040 on YouTube now.



Also available in Nickel/Black Prestige Trim



Panache 620 Hybrid with Black Mirror Glass Liners and Mixed Logs Fuel Bed shown in The Statten Micro Marble Suite from Worcestershire Marble



Scan the QR code to see the Panache 620 Hybrid on YouTube now.



Panache 620 Hybrid



The ultimate hybrid of gas and electric, combining the heat of gas with LED underbed lighting. The fuel bed can be lit with or without the flames, creating an attractive centrepiece even when the fire isn't in use.

Complementing the black glass liners are our mixed log set, creating a stylish overall effect. Installation is possible into limestone slips, a trim, up to a plastered edge, or incorporated into a fireplace suite for more traditional homes.

With an efficiency of 78%, the Panache 620 is guaranteed to keep you warm whatever the weather. The Panache 620 Hybrid will make a prominent feature in your home blending elegant balance with substantial presence.

Key Features

- Fits a class 1 or class 2 chimney and 5" flues so will fit into existing fireplace openings
- 4.69kW heat output
- Large highly efficient glass front
- Plug-in transformer power as standard. Backup battery option in the case of mains power outage
- Remote control provides full operation of the fire
- Black Mirror Glass firebox liners as standard
- Detailed and modern mixed log fuel bed
- Programmable thermostatic room temperature control and optional day timer setting as standard
- 78% efficient to BS 7977-1:2009 +A1:2013 (as amended)
- Can be fitted into a trim, limestone slips, up to a plastered edge or incorporated into a fireplace suite for more traditional homes
- Specifically designed for installation into a 1" rebate
- Under bed lighting that works without the fire being lit.



For specifications refer to the technical datasheet



Fuel Bed with Under Bed Lighting Off



Fuel Bed with Under Bed Lighting On

Fret Options

Choose the perfect fret for your fire.



Wellington Fret



Wellington Brass Fret



Wellington
Antique Fret

Bayswater Fret



Bayswater
Chrome Fret



Bayswater Brass Fret

Gate Cast Iron Fret



Gate Brass Fret



Gate Chrome Fret



Gate Black Fret



Gate Brushed
Stainless Steel Fret

Fret Compatibility

MODEL	WELLINGTON	GATE	BAYSWATER
2000 PLUS	✓	✓	✓
2000 LOW LINTEL	✓	✓	✓
SLIMLINE 3	✓	✓	✓
ONE EVOLUTION	✓	✓	✓
FOCUS HE	✓	✓	✓
CORE HE	✓	✓	✓
FOCUS RS PLUS BF	✓	✓	✓
CORE BF	✓	✓	✓

Trim Options

Choose the perfect trim for your fire.



Standard Trim

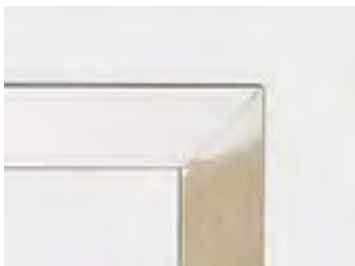
Available for Slide Control & Remote fires.



Standard Trim
Brushed Steel



Standard Trim
Black



Standard Trim
Chrome



Standard Trim
Brass

Trim Compatibility

MODEL	STANDARD
2000 PLUS	✓
2000 LOW LINTEL*	✓
SLIMLINE 3	✓
ONE EVOLUTION	✓
FOCUS HE	✓
CORE HE	✓
FOCUS RS PLUS BF	✓
CORE BF	✓

*The Brushed Steel Standard Trim is not compatible with the 2000 Low Lintel

Note

Our policy is one of constant development and improvement. We therefore reserve the right to revise the specification and design of our products without formal notice. This brochure is presented as a guide to aid in your decision and does not replace the need for technical assessment by your dealer. While the utmost care was taken in the preparation of this brochure, it is not intended to replace the installation manual which provides more detailed information. Photography is for illustration purposes only and does not replace the need to see the product in a showroom. We accept no liability for any loss or damage arising either directly or indirectly from the use of this brochure. All designs in this brochure are design or copyright registered. Charlton & Jenrick, without exception, will take action against any infringements of its designs.

Fascia Options



Fascia Compatibility*†

On this page you will find a collection of fascias that fit the gas fires in this brochure. The table below will guide you to which fascias can be used with the specific gas fires. Three-sided fascias are designed to sit on the hearth in a traditional setting.

MODEL	CAST ARCH	SQUARE CAST	ELITE	PRESTIGE CURVED*	PRESTIGE FOUR SIDED**	EDGE INSET STOVE FASCIA
2000 PLUS	✓	✓	✓	✓	X	X
2000 LOW LINTEL	X	X	X	X	X	X
SLIMLINE 3	✓	✓	✓	✓	X	X
ONE EVOLUTION	✓	✓	✓	✓	X	X
FOCUS HE	✓	✓	✓	✓	✓	✓
CORE HE	✓	✓	✓	✓	✓	✓
FOCUS RS PLUS BF	✓	✓	✓	✓	✓	✓
CORE BF	✓	✓	✓	✓	✓	✓

* Fascias may not be available in all colour options for all control types. Please ask your retailer who can discuss options with you.

** Prestige Fascias are only available in slide control. This fascia only fits on the glass fronted fires.

† To use a fascia on glass-fronted fires the fret top plate must be removed.

Cast Arch Fascia Options

Available for Slide Control & Remote fires

(for Slide there is a removable section from the remote trim to allow for the slide lever).



Cast Arch
Brass Fascia



Cast Arch
Black Fascia



Cast Arch
Chrome Fascia



Square Cast Fascia Options

Available for Slide Control & Remote fires

(for Slide there is a removable section from the remote trim to allow for the slide lever).



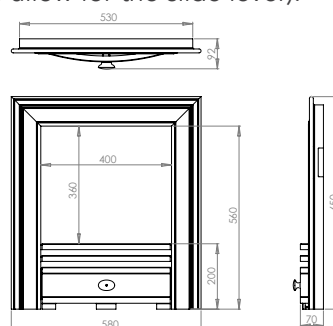
Cast Square
Pewter Fascia



Cast Square
Brass Fascia



Cast Square
Gun Metal Fascia



Elite Fascia Options

Available for Slide Control & Remote fires



Elite Chrome/
Black Fascia



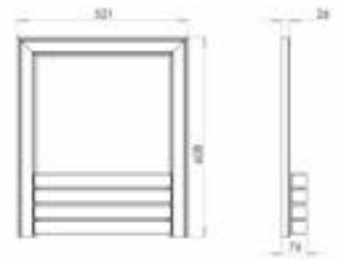
Elite Satin/
Black Fascia



Elite Brass/
Black Fascia



Elite Chrome/
Chrome Fascia



Prestige Fascia Curved Options

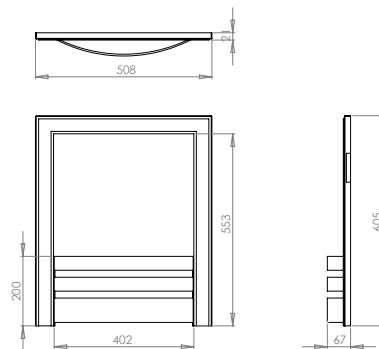
Available for Slide Control Fires



Nickel/Black



Nickel/Chrome



Prestige Fascia Four Sided Options

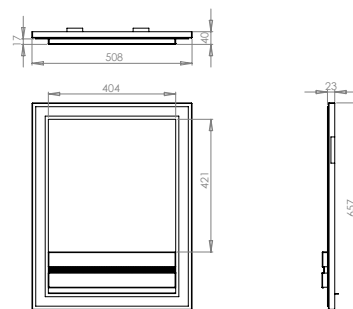
Available for Slide Control Fires, glass fronted only.



Nickel/Black

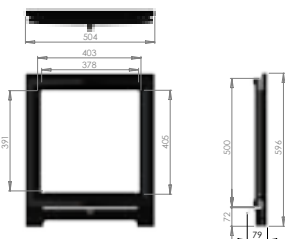


Nickel/Chrome



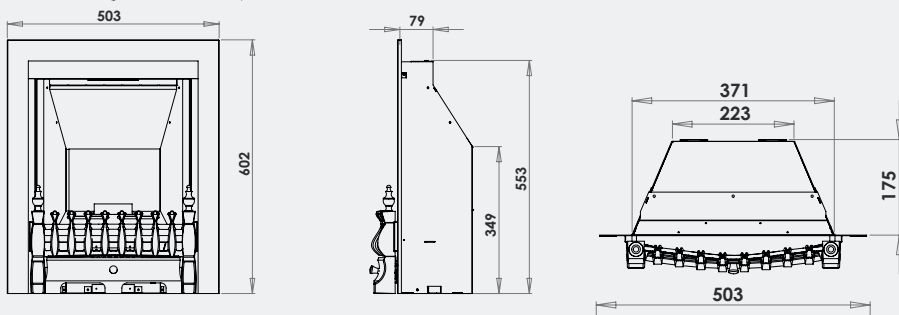
Edge Inset Stove Fascia

Available for slide control fires, glass fronted only.

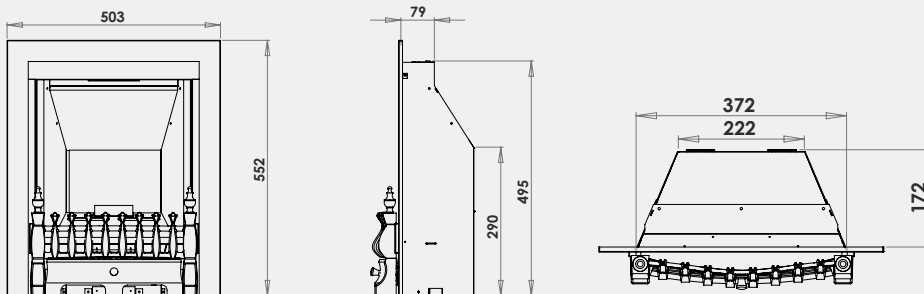


Gas Fire And Stove Dimensions

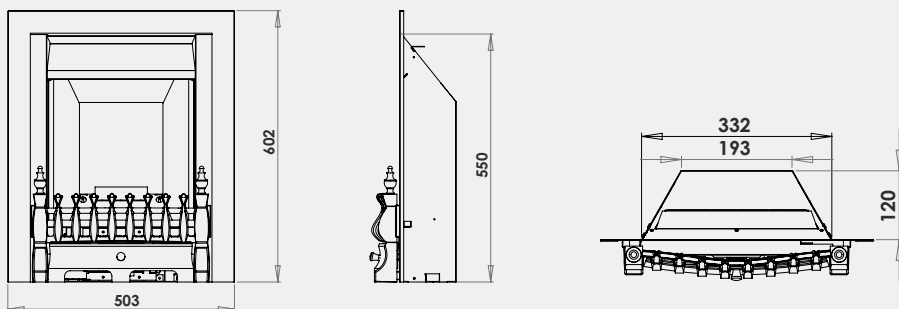
2000 Plus Range



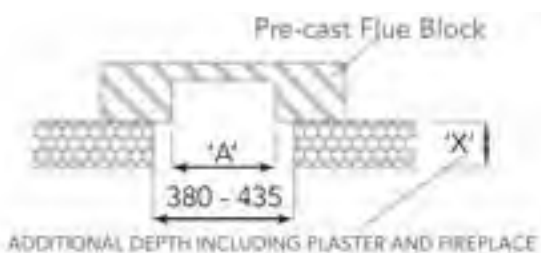
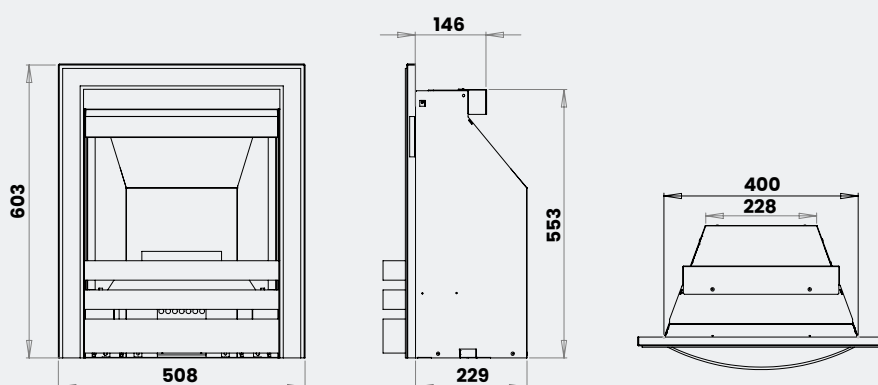
2000 Low Lintel



Slimline 3 Range



Paragon One Evolution



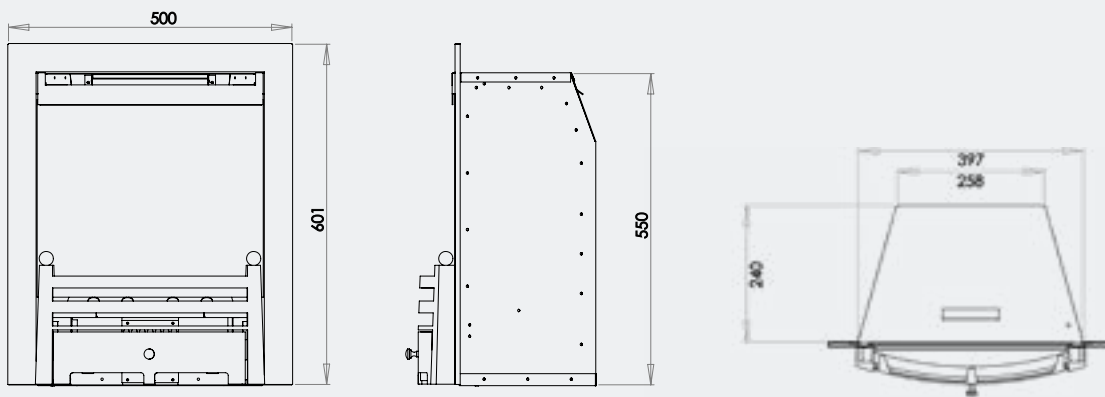
	SPACER	'X' MINIMUM (including plaster)	
	'A'	NONE	20mm
2000	300	83	63
	310	70	50
	320	60	40
Slimline	300	30	10
	320	15	0

Note

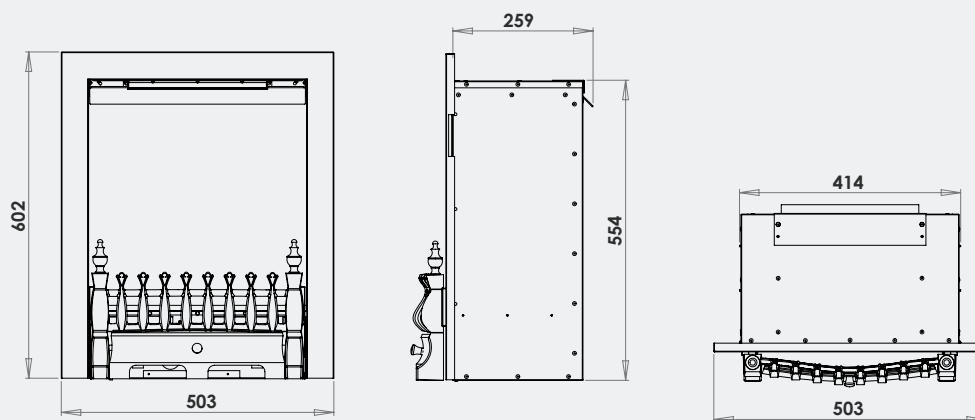
Our policy is one of constant development and improvement. We therefore reserve the right to revise the specification and design of our products without formal notice. This brochure is presented as a guide to aid in your decision and does not replace the need for technical assessment by your dealer. While the utmost care was taken in the preparation of this brochure, it is not intended to replace the installation manual which provides more detailed information. Photography is for illustration purposes only and does not replace the need to see the product in a showroom. We accept no liability for any loss or damage arising either directly or indirectly from the use of this brochure. All designs in this brochure are design or copyright registered. Charlton & Jenrick, without exception, will take action against any infringements of its designs.

Gas Fire And Stove Dimensions

Focus HE

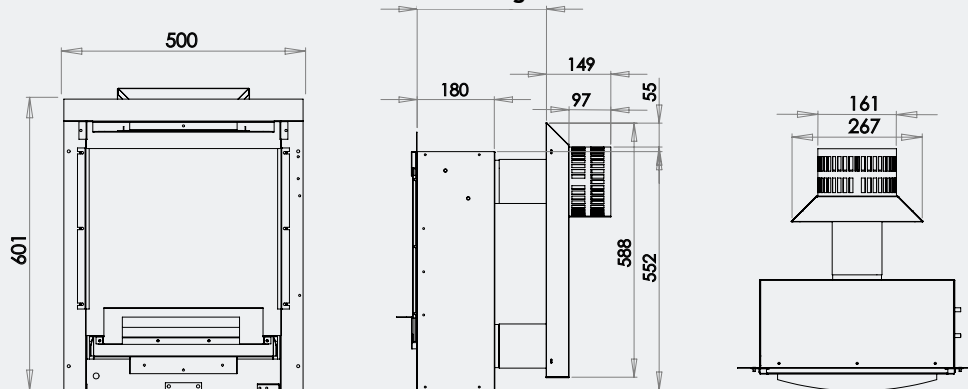


Core HE



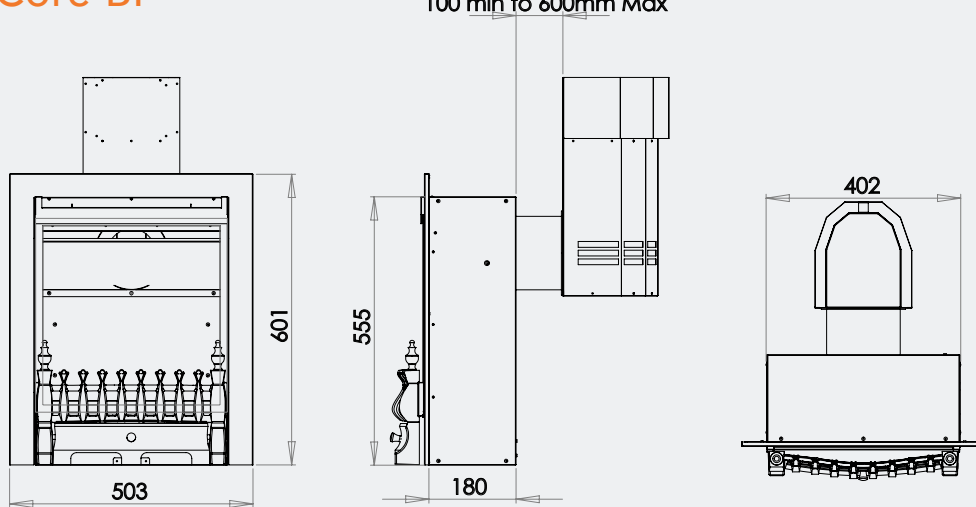
Focus RS Plus BF

290 Min - 1170 Max
May require extra
flue length



Core BF

100 min to 600mm Max

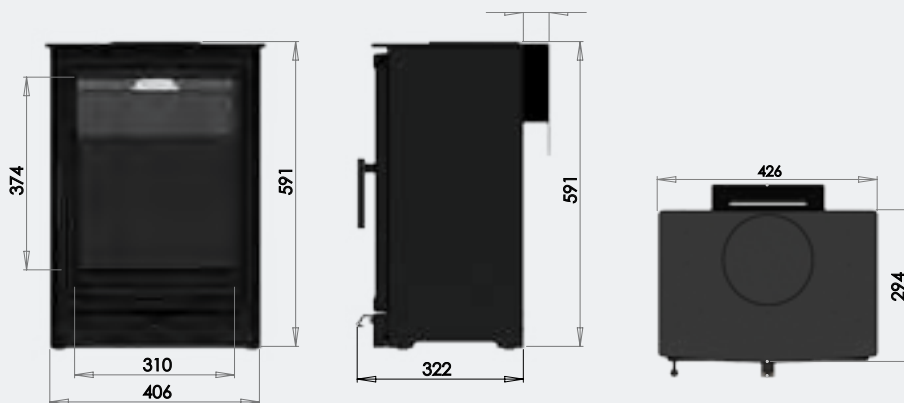


Gas Fire And Stove Dimensions

Paragon Edge CF Gas Stove – Conventional Flue – Top Connection



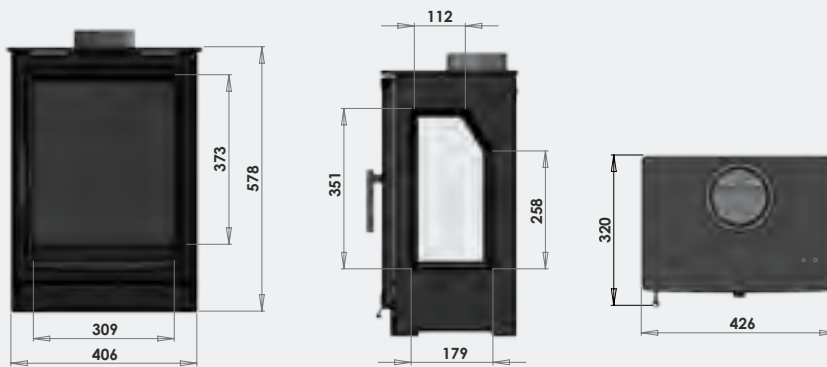
Paragon Edge BF Gas Stove – Balanced Flue – Rear Connection



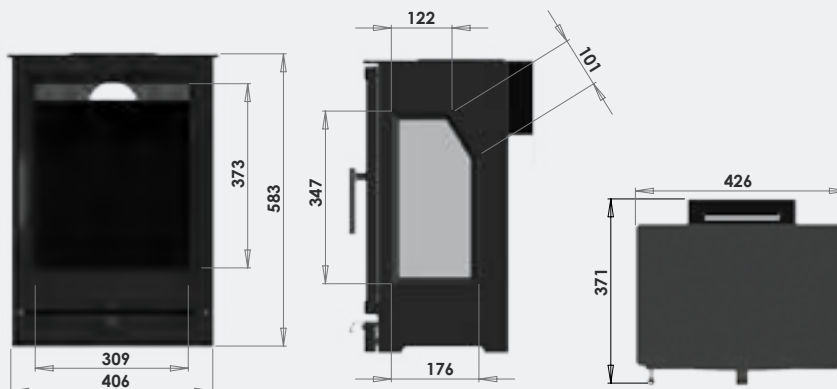


Gas Fire And Stove Dimensions

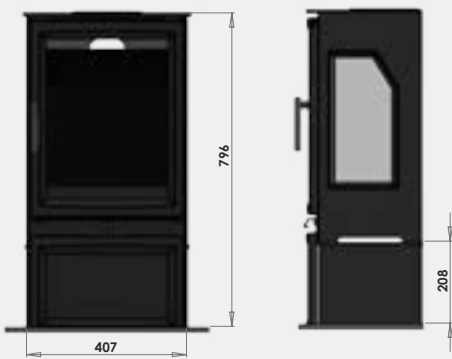
Paragon Edge 3 Sided CF Gas Stove – Conventional Flue – Top Connection



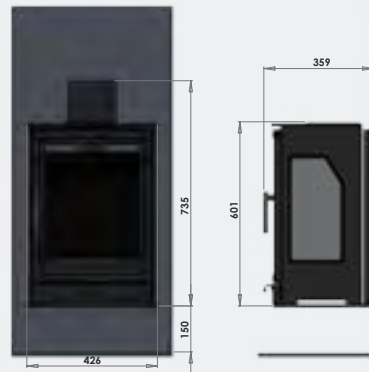
Paragon Edge 3 Sided BF Gas Stove – Balanced Flue – Rear Connection



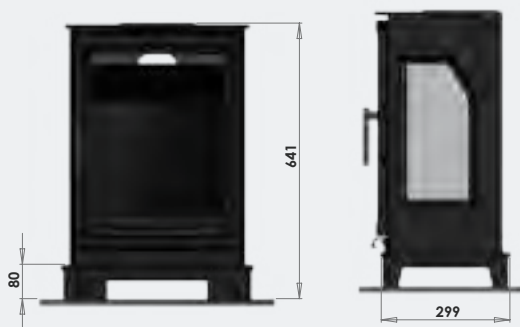
Paragon Edge 3 Sided
CF Gas Stove With Log
Store



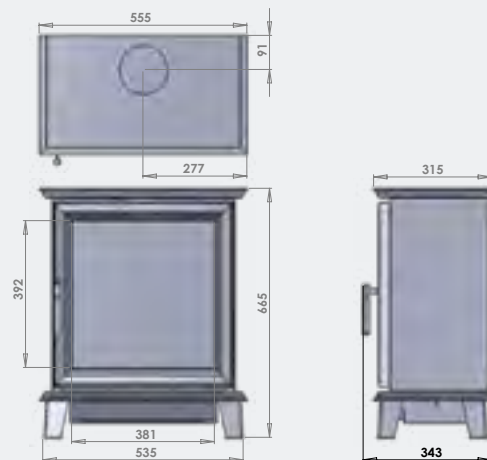
Paragon Edge 3 Sided
CF Gas Stove With
Wall Stand



Paragon Edge 3
Sided CF Gas Stove
With Stand



Panache 56 SD CF
Gas Stove



Paragon Gas Stoves Flue Options

Conventional Flue

The Paragon Edge CF and Edge 3S CF can be installed as a top outlet stove (Fig.1). The optional pre-cast flue kit for the Paragon Edge CF and Edge 3S CF Stoves will allow installation into properties without a conventional brick or clay liner flue system. This allows installation on to a flat wall via a pre-cast flue system within the cavity structure of the property (Fig.2).



Fig.1

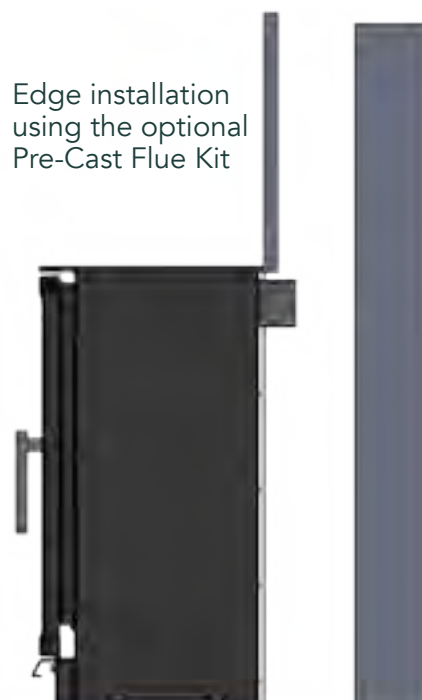


Fig.2

Balanced Flue – Rear Vent

For rooms without a flue the Paragon Edge BF and Edge 3S BF Stoves may well be an alternative. The Paragon Edge BF and Edge 3S BF Stoves can be fitted using two different balanced flue systems. A snorkel system allows direct ducting of the exhaust products via a rear exit connect on an external facing wall. The Snorkel kit comes with a standard 600mm flue length which is cut to suit the cavity wall depth.

Balanced Flue – Top Vent Up & Out

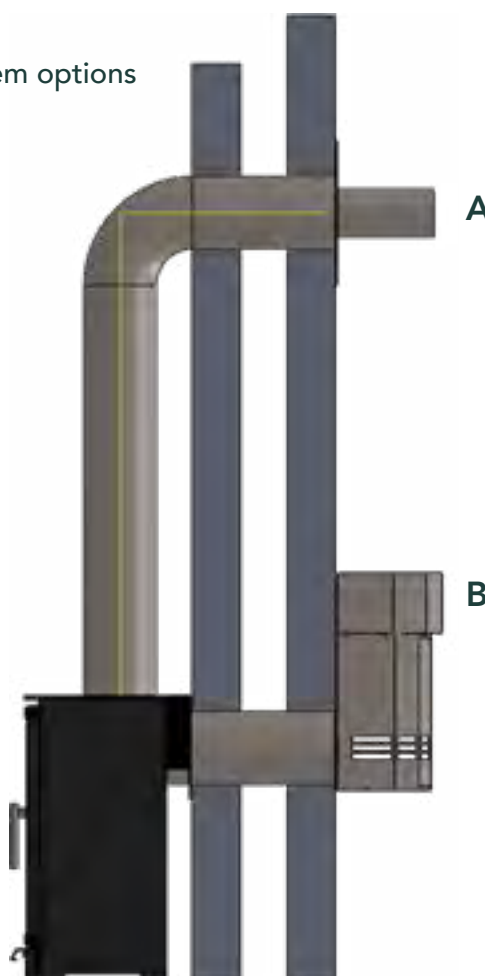
The other alternative is the up and out balanced flue kit from Paragon. This allows up to a 3 metre vertical run off the top of the appliance and will also allow a 5 metre horizontal flue in total. The up and out kit provided as standard allows for a vertical run of 800mm plus a 90 degree elbow with terminal which is cut to suit the cavity wall depth. Further components are available to order.

Indoor sections of the flue pipe kit can be painted with matt black high temperature stove paint at the point of installation.

Paragon Edge Balanced Flue System. Flue system options available where a room has no Chimney.

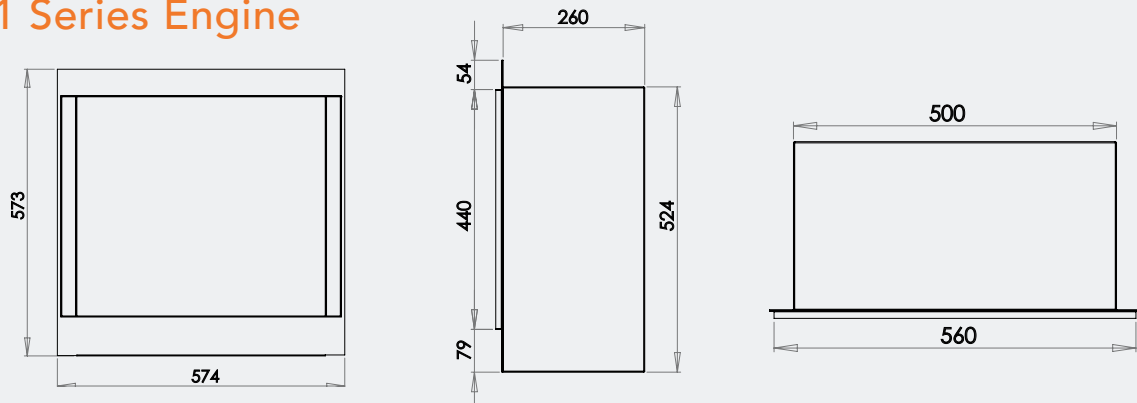
A: Top outlet up and out.
Rise Minimum 500mm to Maximum 3 Metres.

B: Rear Snorkel Outlet.
Minimum 100mm to Maximum 600mm.

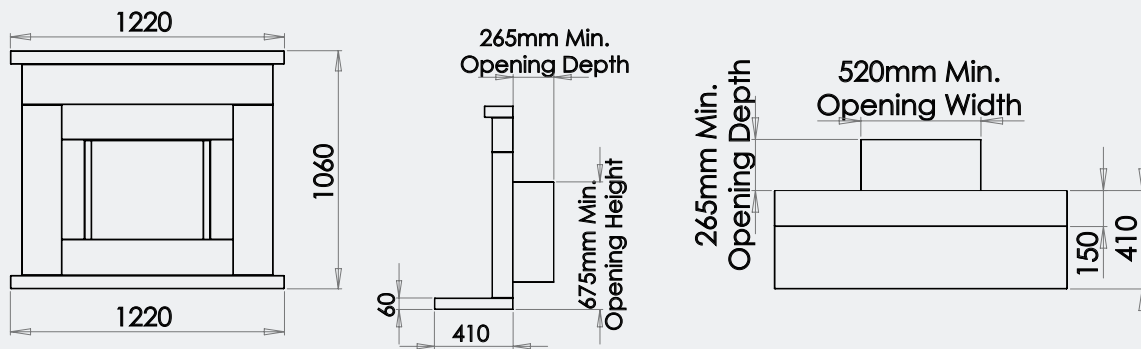


Gas Fire And Stove Dimensions

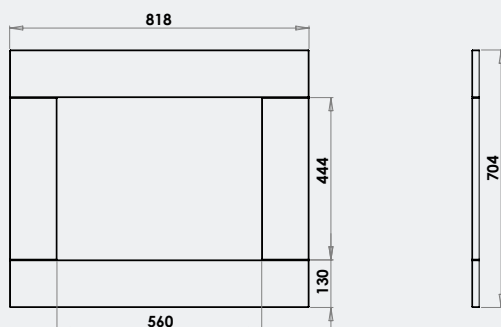
P11 Series Engine



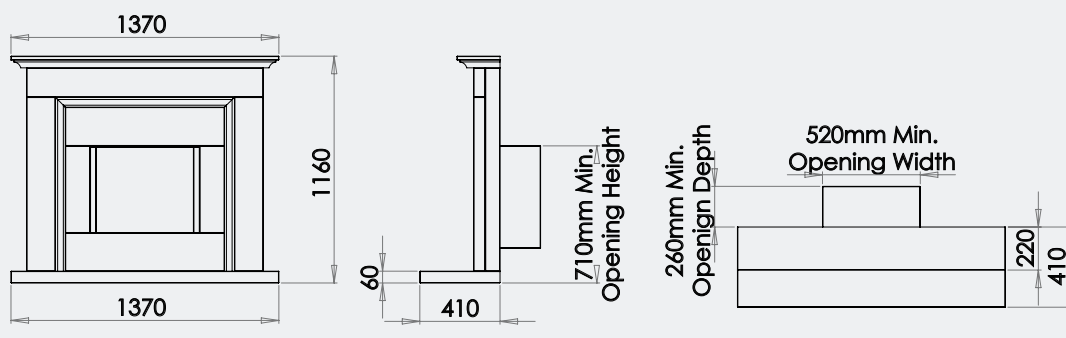
P11 Beckford Surround



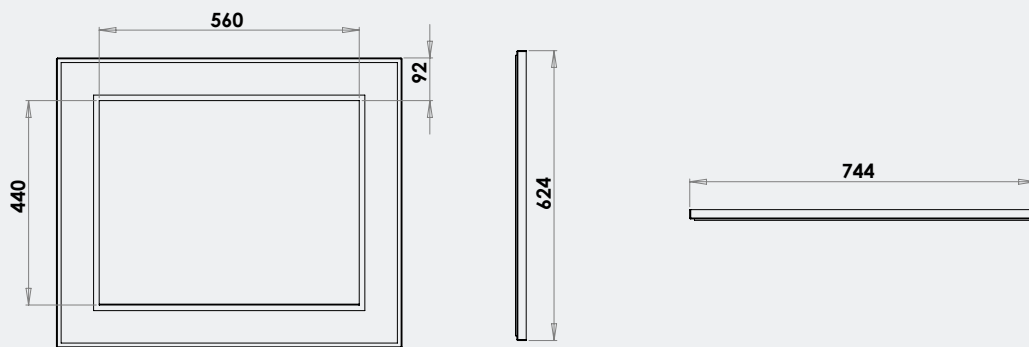
P11 Limestone Slips



P11 Aylesbury Surround



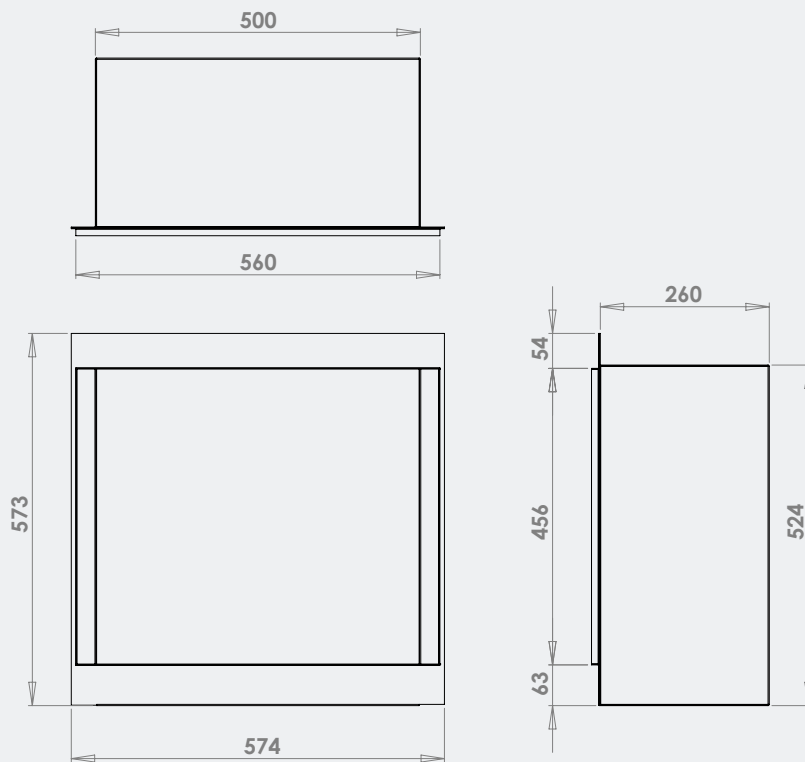
P11 Prestige Trim



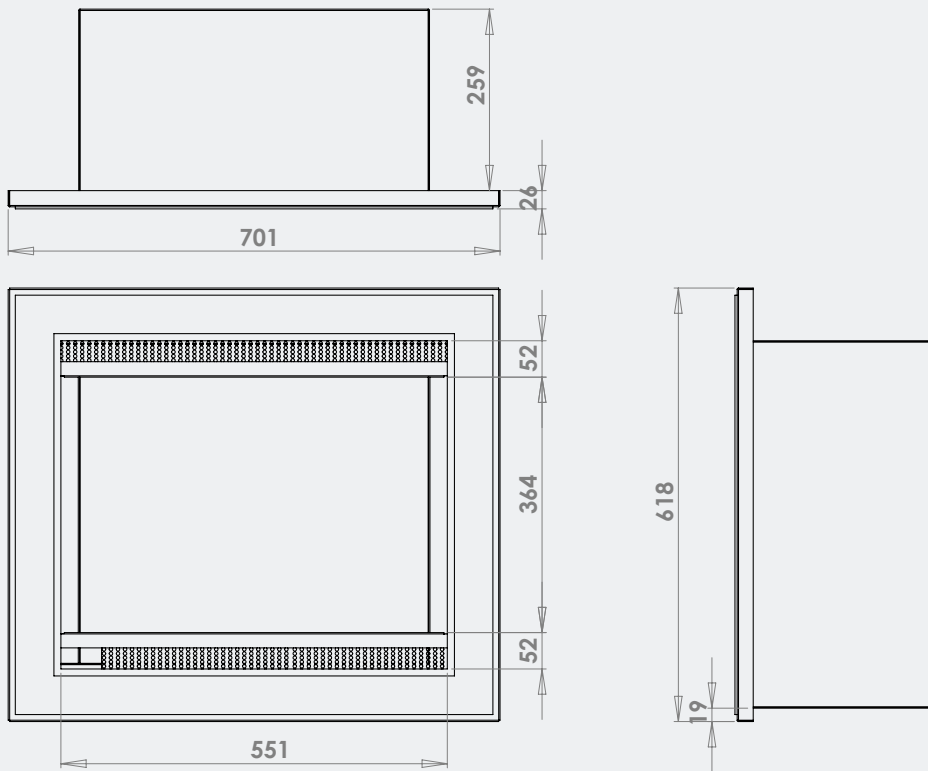
Paragon Open-Flame Fires

Dimensions And Specifications

Paragon P11 Slide Control Engine

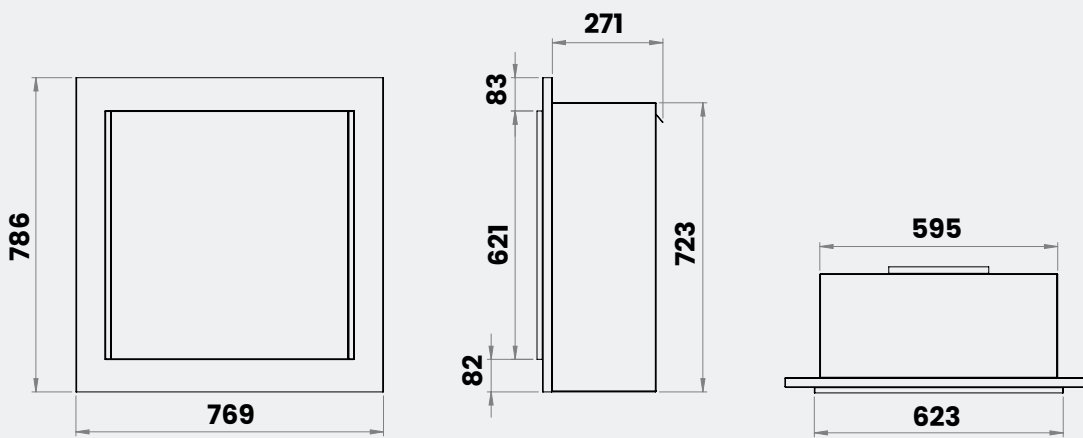


Paragon P11 Slide Control In Prestige Trim

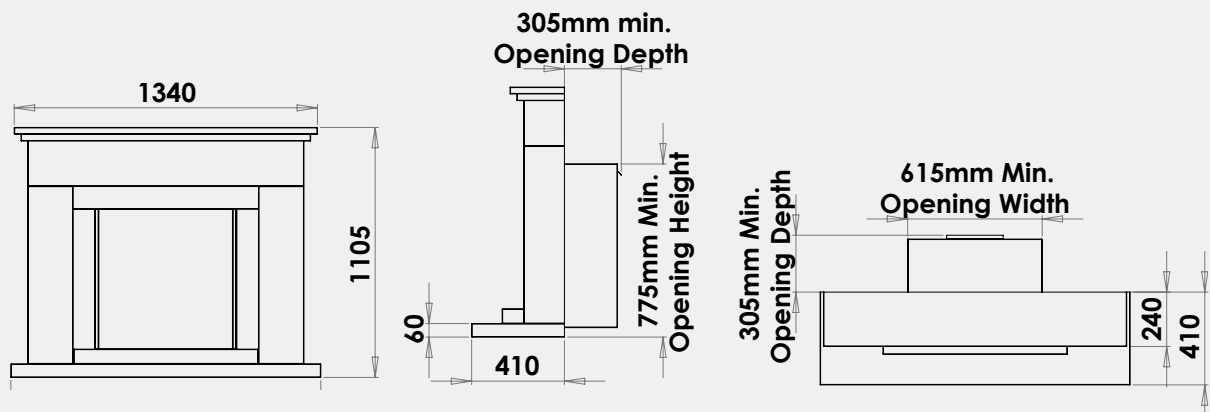


Gas Fire And Stove Dimensions

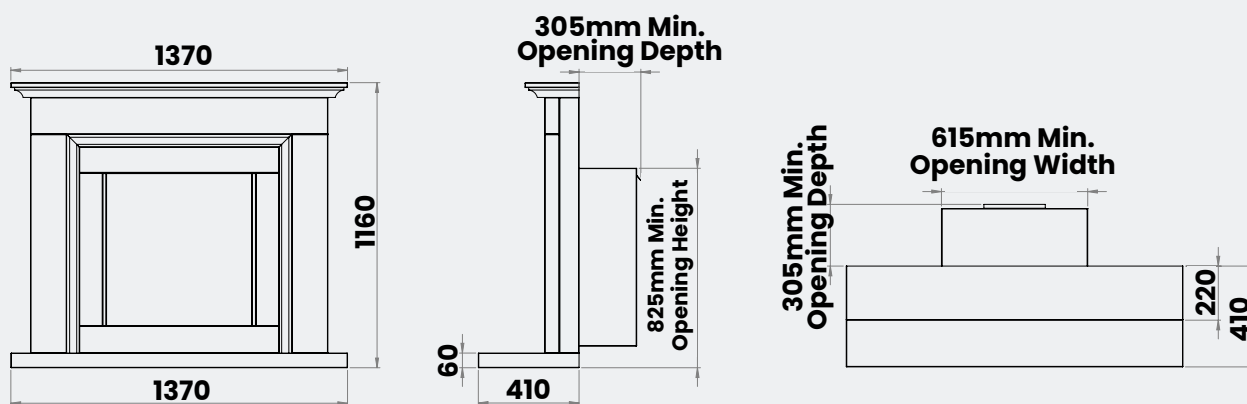
P5 CF Series Engine



P5 CF Wenlock Surround

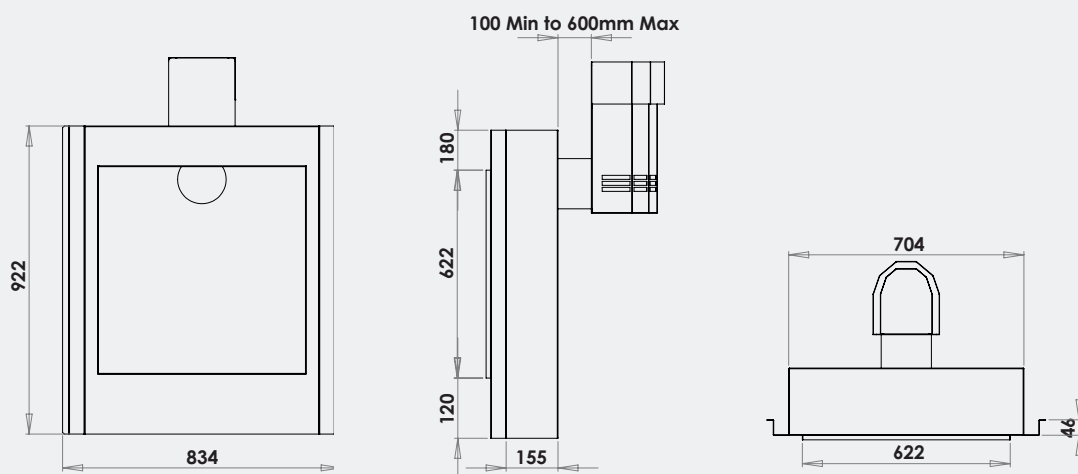


P5 CF Aylesbury Surround

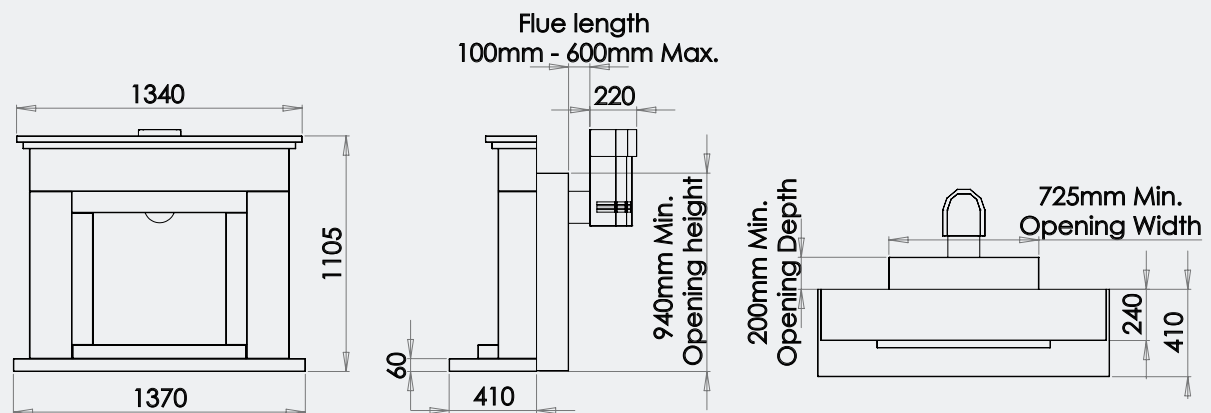


Gas Fire And Stove Dimensions

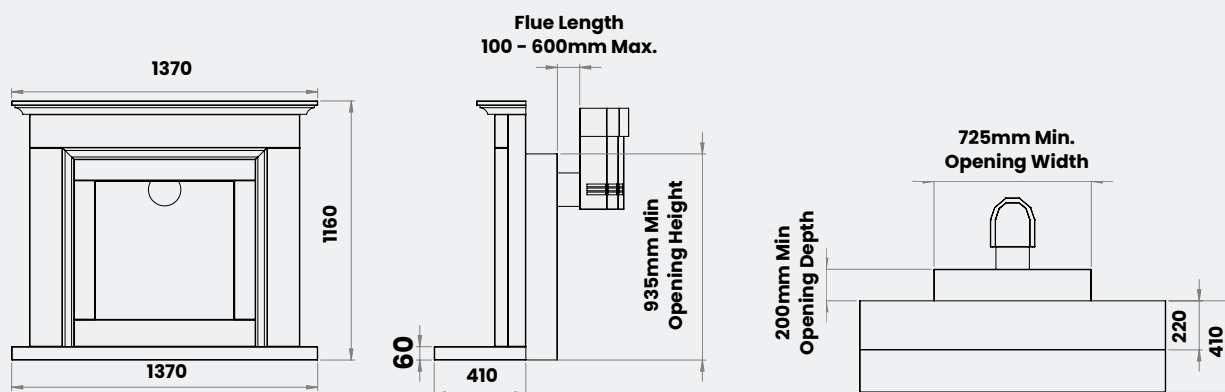
P5 BF Series Engine



P5 BF Wenlock Surround

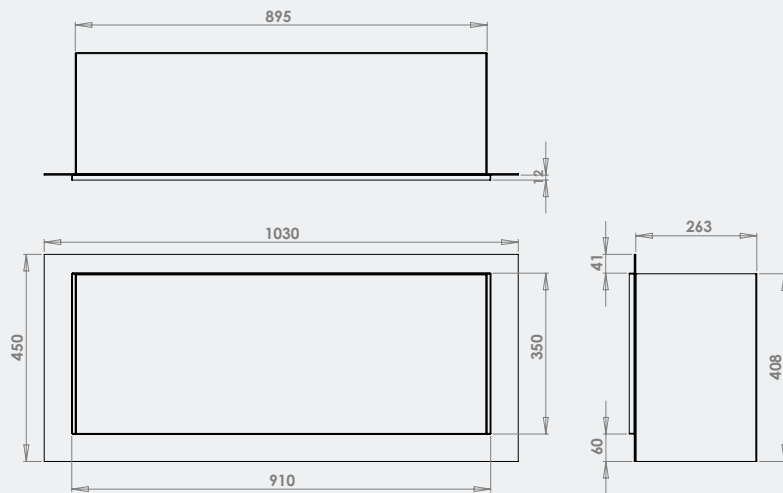


P5 BF Aylesbury Surround

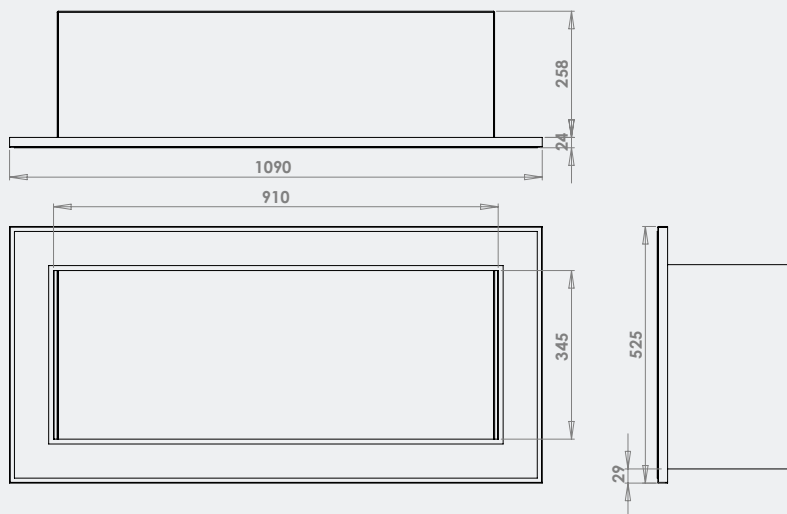


Gas Fire And Stove Dimensions

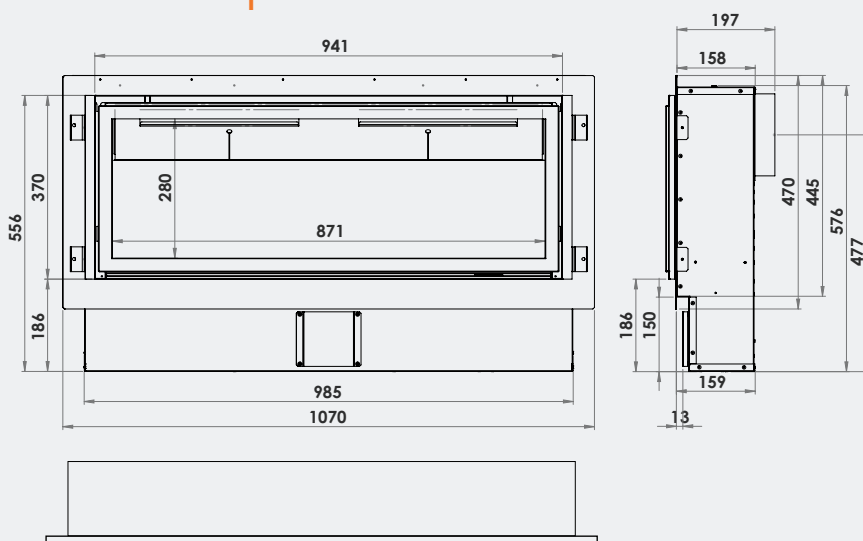
Infinity 890HD CF Fireplace Frame Option



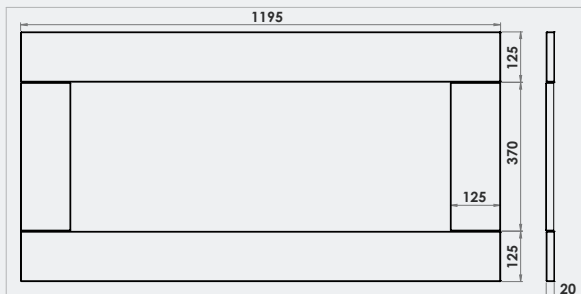
Infinity 890HD CF in Prestige Trim



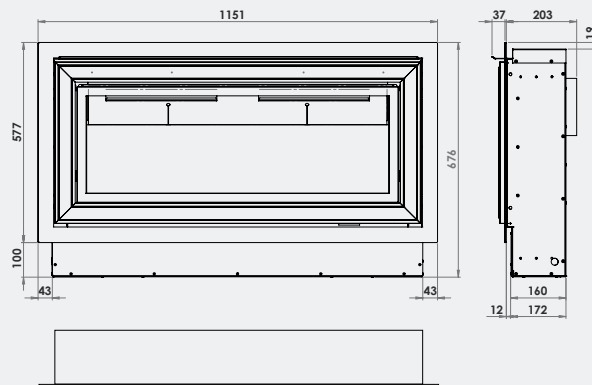
Infinity 890HD BF Slip Frame Kit



Infinity 890HD BF Limestone Slips

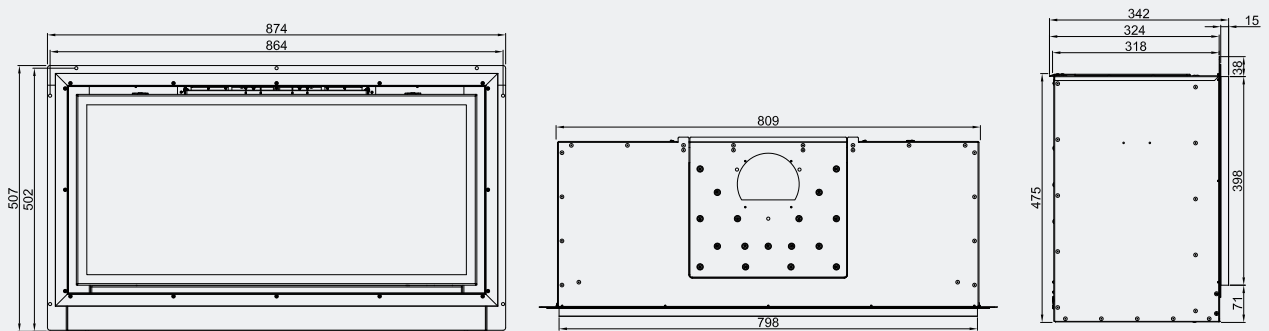


Infinity 890HD BF Zero Clearance Kit



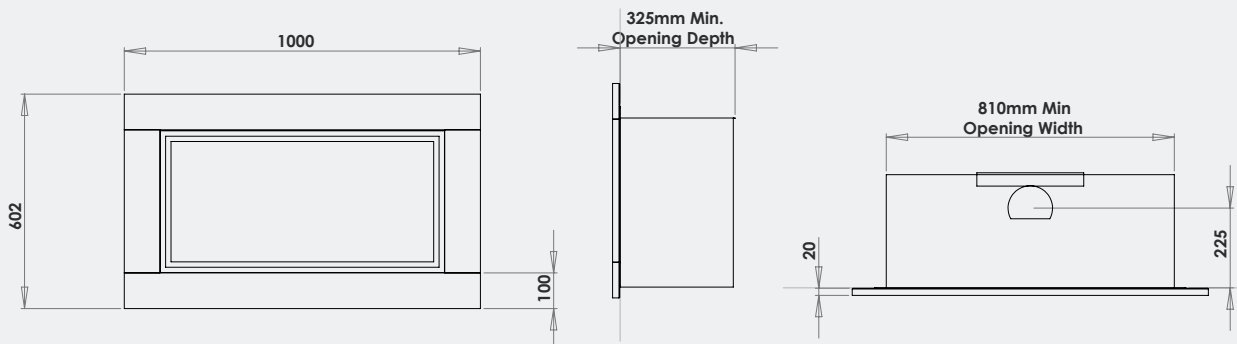
Gas Fire And Stove Dimensions

Panache 8040

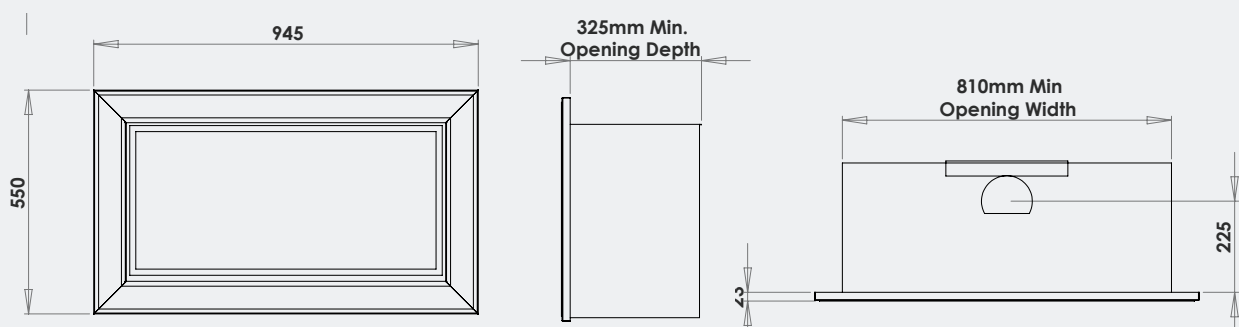


*When installed hole-in-the-wall, installation needs to be 150mm off the floor.

Panache 8040 Limestone Slips

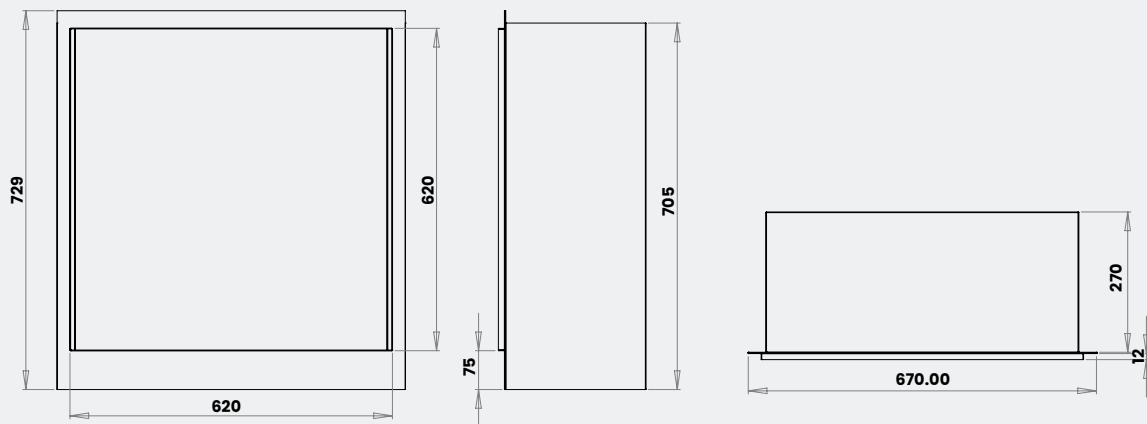


Panache 8040 Prestige Trim



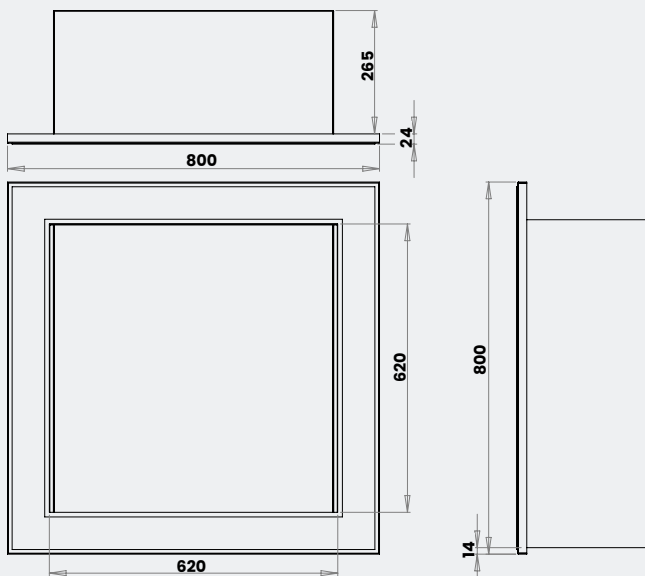
Gas Fire And Stove Dimensions

Panache 620 Hybrid

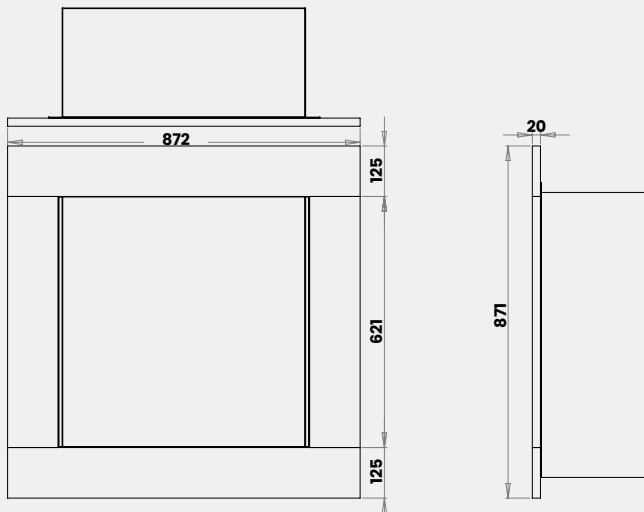


*When installed hole-in-the-wall, installation needs to be 150mm off the floor.

Panache 620 Hybrid with Prestige Trim



Panache 620 Hybrid with Limestone Slips



Gas Fire And Stove

Specifications And Options

MODEL	CHIMNEY TYPE	INPUTS, OUTPUTS & EFFICIENCY							CONTROL TYPE			VISIBLE DIMENSIONS W x H (MM)	FIREPLACE OPENINGS					
		GAS TYPE	GROSS INPUT HIGH (KW)	OUTPUT HIGH (KW)	NET EFFICIENCY (%)	INPUT LOW (KW)	EFFICIENCY CLASS	ENERGY CLASS	CONVENIENT CONTROL	SLIDE CONTROL	REMOTE		HEIGHT MIN (MM)	HEIGHT MAX (MM)	WIDTH MIN (MM)	WIDTH MAX (MM)	DEPTH MIN (MM)	
16" Open Flame Gas Fires																		
2000 Plus	Class 1 & 2	NG	7.00	3.56	57.0	2.4	2	F		•	•	350 x 350	458	552	380	478	185	
	Class 1 & 2	LPG	6.65	4.00	57.0	2.4	2	F		•		350 x 350	458	552	380	478	185	
2000 Low Lintel	Class 1 & 2	NG	7.00	3.56	56.6	2.4	2	F		•		350 x 300	500	526	380	478	185	
Slimline 3	Class 1 & 2	NG	7.00	4.10	65.0	2.4	2	F		•		350 x 250	550	570	340	440	140	
One Evolution	Class 1 & 2	NG	7.70*	4.40	63.0	2.4	2	F		•	•	350 x 250	552	578	380	458	250	
16" Glass Fronted Gas Fires																		
Focus HE	Class 1 & 2	NG	5.50	4.40	82.0	2.4	1	D		•	•	400 x 340	560	580	400	456	320	
	Class 1 & 2	LPG	5.10	4.00	82.0	2.4	1	D		•		400 x 340	560	580	400	456	320	
Core HE	Class 1 & 2	NG	5.20	4.00	85.0	3.0	1	D		•	•	400 x 350	560	580	425	456	320	
Focus RS Plus BF**	Balanced Flue	NG	5.40	4.30	85.0	2.4	1	C		•	•	370 x 300	553	585	405	440	185	
Core BF**	Balanced Flue	NG	3.90	3.0	89.0	3.5	1	C		•	•	370 x 300	553	585	405	440	185	
Paragon Gas Stoves																		
Panache 56SD CF Gas Stove	Class 1 & 2	NG	5.50	4.20	85.0	4.0	1	D	•			381 x 392	715	N/A	635	N/A	343	
Edge CF Stove	Class 1 & 2	NG	5.20	4.00	82.5	3.0	1	D		•		300 x 370	645	N/A	506	N/A	373	
	Class 1 & 2	LPG	5.00	3.60	78.0	3.3	2	D		•		300 x 370	645	N/A	506	N/A	373	
Edge BF Stove	Balanced Flue	NG	5.90	5.00	95.0	3.8	1	B		•		300 x 370	645	N/A	506	N/A	373	
	Balanced Flue	LPG	5.10	4.20	89.0***	3.8	1	C		•		300 x 370	645	N/A	506	N/A	373	
Edge 3S CF Stove	Class 1 & 2	NG	5.20	4.00	82.5	3.0	1	D		•		300 x 370	645	N/A	506	N/A	373	
Edge 3S BF Stove	Balanced Flue	NG	5.90	5.00	95.0	3.8	1	B		•		300 x 370	645	N/A	506	N/A	373	
Large Format Gas Fires																		
P11 CF	Class 1 & 2	NG	6.10	4.40	80.0	3.6	1	D		•		560 x 440	535	560	506	540	330	
P11 CF Slide Control	Class 1 & 2	NG	6.10	4.40	80.0	3.6	1	D		•		460 x 456	535	560	506	540	330	
P5 CF	Class 1 & 2	NG	6.90	5.70	85.0	4.3	1	D		•		622 x 621	735	770	605	740	330	
P5 BF	Balanced Flue	NG	7.40	5.43	81.5	3.8	1	C		•		626 x 621	N/A	935	710	780	160	
890HD CF	Class 1 & 2	NG	6.60	4.64	78.0	4.2	2	D		•		905 x 345	425	440	910	990	330	
890HD BF with Zero Clearance Kit	Balanced Flue	NG	6.00	4.91	91.0	4.3	1	B		•		870 x 280	660	N/A	1082	N/A	171	
890HD BF with Slip Kit Frame Kit	Balanced Flue	NG	6.00	4.91	91.0	4.3	1	B		•		870 x 280	595	600	1015	1025	161	
Panache 8040	Class 1 & 2	NG	6.30	4.50	78.0	4.0	1	D		•		725 x 322	480	485	800	840	360	
Panache 620 Hybrid	Class 1 & 2	NG	6.70	4.69	78.0	4.0	2	D		•		615 x 615	715	720	610	635	340	

*no ventilation required

**These fires are tested to BS EN 613-2021 which is the current standard for balanced flue fires at time of print.

*** Efficiency on the Edge BF LPG was again taken using the up and out system

MODEL	LINER OPTIONS*		REMOTE OPTIONS		FUEL BED OPTIONS		TRIM OPTIONS		ZERO CLEARANCE KIT	LIMESTONE SLIPS	SLIP FRAME KIT
	BLACK MIRROR	RIBBED BLACK	HAND REMOTE	SLIDE CONTROL	WOODLAND LOG	MIXED LOG	NICKEL/BLACK PRESTIGE TRIM	NICKEL/CHROME PRESTIGE TRIM			
Large Format Gas Fire Options											
P11 CF	•	•	•	•		•	•	•		•	
P5 CF	•	•	•			•					
P5 BF	•	•	•			•					
890HD CF	•		•			•	•	•			•
890HD BF	•		•			•			•	•	•
PANACHE 8040	•		•		•		•	•		•	•
PANACHE 620 HYBRID	•		•			•	•	•		•	

*Some liner options don't come as standard and need ordering as an extra option. Please check with your retailer.

All gas products are manufactured under a BS EN ISO 9001 quality system (registration number 5195), which covers all areas of product design, development, manufacture and service. Our conventional flued fires are all tested to BS 7977-1 2009 + A1 2013. This is the current standard at time of print.

Please note: Our policy is one of constant development and improvement. Charlton and Jenrick therefore reserves the right to revise the specification and design of its products without formal notice. This brochure is presented as a guide to aid in your decision and does not replace the need for technical assessment by your dealer. Whilst the utmost care is taken in preparation of this brochure, it is not intended to replace the installation manual which provides more detailed information. Photography is for illustration purposes only and does not replace the need to see the product in a showroom. We accept no liability for any loss or damage arising either directly or indirectly from the use of this leaflet.

The Charlton & Jenrick way

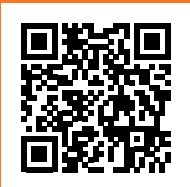
Our Heritage

Since being established in 1986, we have grown and now sell products across all fuel types.

Regardless of whether you need a gas, wood-burning, solid-fuel, or electric appliance we have a product to fit your needs.

See our full range at

www.charltonandjenrick.co.uk



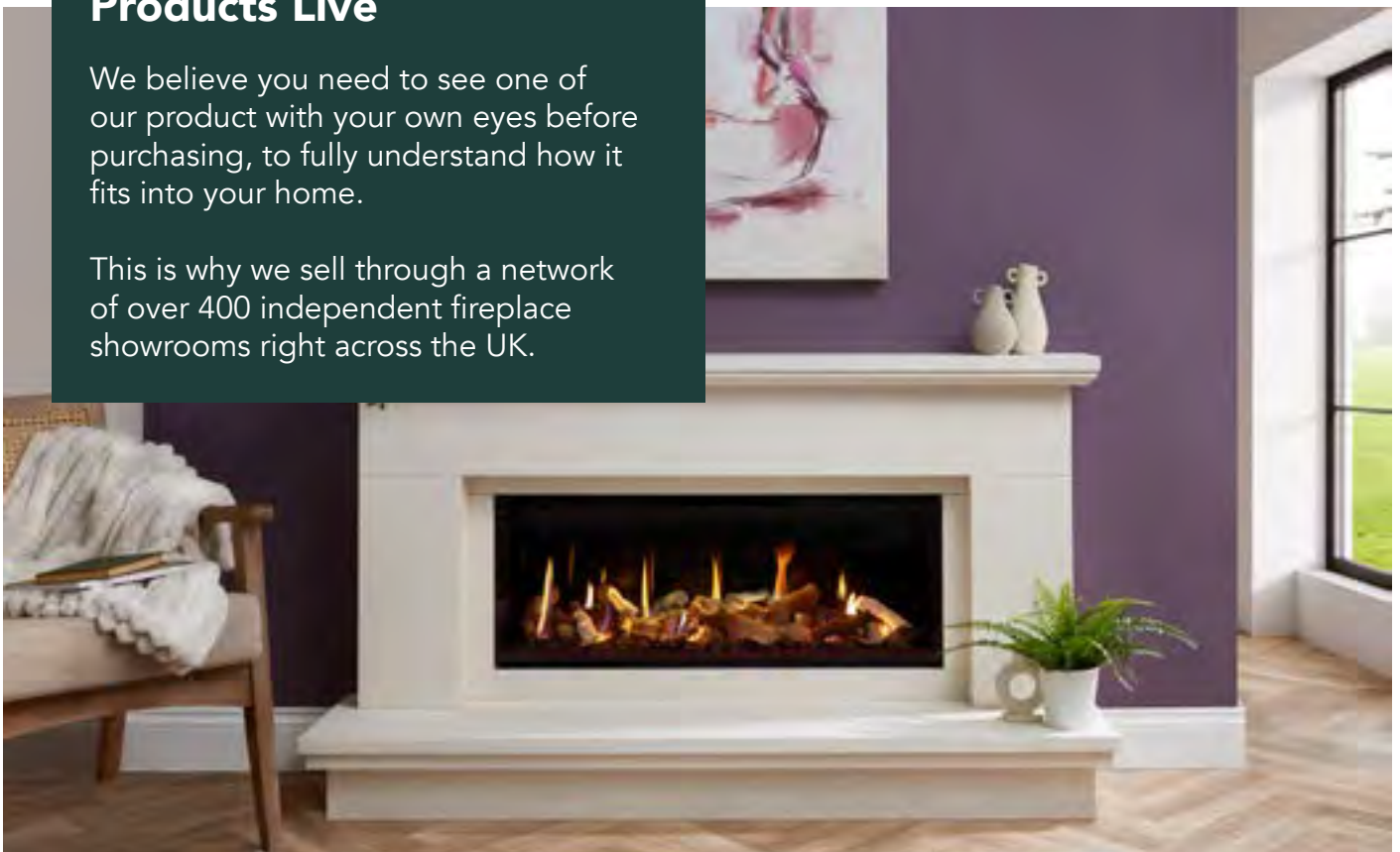
Please scan the QR code to visit now



See One Of Our Products Live

We believe you need to see one of our product with your own eyes before purchasing, to fully understand how it fits into your home.

This is why we sell through a network of over 400 independent fireplace showrooms right across the UK.



See Our Other Product Ranges

Purevision

State of the art design for the ultimate in luxury stoves.



Fireline

A range of modern and traditional designs, the Fireline range has the perfect stove for you.

Go Eco

A range of glamping, cooking and conventional stoves for home and glamping environments.



Electric

Media Wall fires, electric stoves, and 16" inset electric fires to suit every interior style.

Company And Product Accreditations

Charlton & Jenrick have made a very substantial investment over the years in obtaining a wide range of accreditations and trade body memberships to ensure that we are consistently offering the best possible products and services to our customers. We not only manufacture appliances but we also put in huge behind-the-scenes efforts to ensure that we input to and keep abreast of impending legislation, standards, product performance and environmental requirements. Currently we subscribe and contribute to the following accreditations:



The **UKCA (UK Conformity Assessed) mark** is the new UK product mark that replaces the CE mark for products being placed on the market in Great Britain (England, Wales and Scotland). It covers most products that previously required the CE mark. All our fires comply to this new mark.



HHIC, the Heating and Hot Water Information Council is a trade body representing the UK gas fire industry. As part of the Energy and Utilities Alliance, within the HHIC we have an input into EU and UK standards committees, communicate with Government departments and keep abreast of serious issues affecting the gas fire industry.



SIA, the Stove Industry Association is the UK trade body for the solid fuel stove industry. C&J are members of the Executive Committee and Technical Committee enabling input into UK and EU standards committees and lines of communication into Government departments and keeping up to date on a wide range of issues affecting the industry.



CE marking of products is mandatory for electric, gas, and wood-burning fires and stoves in Europe. We always invest in independent testing and certification to ensure our products meet all necessary requirements for the regions we operate in.



Gas Safe Register is the mandatory national competent persons scheme to allow work on gas fittings and appliances in customers' homes. Our service and most of the sales team have completed the regular training courses and sit the regular exams to ensure our customers have the best support and service.



ISO 9001 is the internationally recognised standard for Quality Management Systems which in our case includes the activity of product design and development as well as production, sale and support functions. Annual independent audits and certification ensure continued compliance in producing consistent quality products.



ISO 14001 is the internationally recognised standard for Environmental Management Systems. Once again this independently audited and certified system makes sure that we are regularly monitoring and reviewing the impact of the business and its products to ensure we minimise negative impacts and promote best practice.



clearSkies is a certification mark for Emissions and Energy Performance of domestic wood & solid fuel stoves and fireplaces. clearSkies ratings, namely the certification levels, will show appliances that meet defined emissions and efficiency thresholds that exceed the minimum requirements set by the ecodesign regulation.



Discover More

✉ sales@charltonandjenrick.co.uk

🌐 charltonandjenrick.co.uk

☎ 01952 200 444

Note

Our policy is one of constant development and improvement. We therefore reserve the right to revise the specification and design of our products without formal notice. This brochure is presented as a guide to aid in your decision and does not replace the need for technical assessment by your dealer. While the utmost care was taken in the preparation of this brochure, it is not intended to replace the installation manual which provides more detailed information. Photography is for illustration purposes only and does not replace the need to see the product in a showroom. We accept no liability for any loss or damage arising either directly or indirectly from the use of this brochure. All designs in this brochure are design or copyright registered. Charlton & Jenrick, without exception, will take action against any infringements of its designs.

— COMPLETE

Charlton & Jenrick

GAS COLLECTION




Charlton & Jenrick™

Charlton & Jenrick Ltd, Unit D,
Stafford Park 2, Telford, Shropshire,
TF3 3AR
Tel: 01952 200444
Email: sales@charltonandjenrick.co.uk
www.charltonandjenrick.co.uk

Connect with us

 @cjfires

 cjfires

 1cjgroup

 charlton-&-jenrick-ltd

 charltonandjenrick

 cjfires